



Submittal Data Sheet

0.6 to 2.0-Ton Floor Standing Units

FXLQ_MVJU9

FEATURES

- One of our slimmest indoor units less than 8" fits any interior design
- Wide air discharge outlet distributes a comfortable airflow throughout the entire space
- Silent stream fan technology keeps sound pressure levels low
- Ideal for installation beneath a window
- Unit requires minimal installation space



VRV





Submittal Data Sheet

0.6-Ton Floor Standing Unit

FXLQ07MVJU9

PERFORMANCE

Indoor Unit Model No.	FXLQ07MVJU9	Indoor Unit Name:	0.6-Ton Floor Standing Unit
Type:	Floor Standing	Rated Cooling Conditions:	Indoor (°F DB/WB): 80 / 67 Ambient (°F DB/WB): 95 / 75
Rated Cooling Capacity (Btu/hr):	7,500	Rated Heating Conditions:	Indoor (°F DB/WB): 70 / 70 Ambient (°F DB/WB): 47 / 43
Sensible Capacity (Btu/hr):	5,800	Rated Piping Length(ft):	
Cooling Input Power (kW):	0.050	Rated Height Separation (ft):	
Rated Heating Capacity (Btu/hr):	8,500		
Heating Input Power (kW):	0.05		

INDOOR UNIT DETAILS

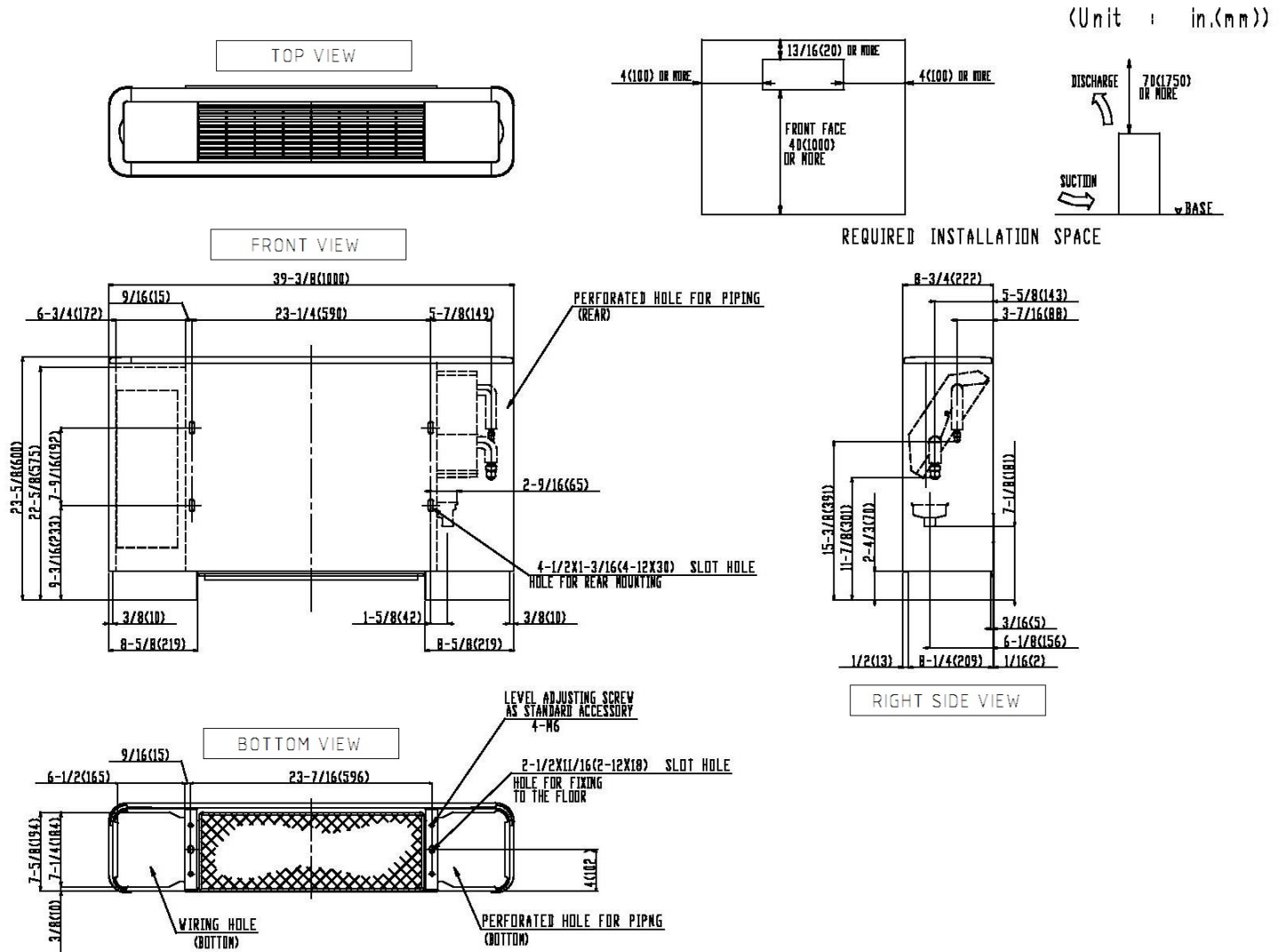
Power Supply (V/Hz/Ph):	208-230 / 60 / 1	Airflow Rate (H/L) (CFM):	245/210
Power Supply Connections:	L1, L2, Ground	Moisture Removal (Gal/hr):	
Min. Circuit Amps MCA (A):	0.30	Gas Pipe Connection (inch):	1/2
Max Overcurrent Protection (MOP) (A):	15.00	Liquid Pipe Connection (inch):	1/4
Dimensions (HxWxD) (in):	23-5/8 x 39-3/8 x 8-3/4	Condensate Connection (inch):	25/32
Panel (HxWxD) (in):		Sound Pressure (H/L) (dBA):	35/32
Net Weight (lb):	58	Sound Power Level (dBA):	
Panel Weight (lb):		Ext. Static Pressure (Rated/Max) (inWg):	0.00 / 0.00

Submittal Data Sheet

0.6-Ton Floor Standing Unit

FXLQ07MVJU9

DIMENSIONAL DRAWING





Submittal Data Sheet

0.75-Ton Floor Standing Unit

FXLQ09MVJU9

PERFORMANCE

Indoor Unit Model No.	FXLQ09MVJU9	Indoor Unit Name:	0.75-Ton Floor Standing Unit
Type:	Floor Standing	Rated Cooling Conditions:	Indoor (°F DB/WB): 80 / 67 Ambient (°F DB/WB): 95 / 75
Rated Cooling Capacity (Btu/hr):	9,500	Rated Heating Conditions:	Indoor (°F DB/WB): 70 / 70 Ambient (°F DB/WB): 47 / 43
Sensible Capacity (Btu/hr):	7,100	Rated Piping Length(ft):	
Cooling Input Power (kW):	0.050	Rated Height Separation (ft):	
Rated Heating Capacity (Btu/hr):	10,500		
Heating Input Power (kW):	0.05		

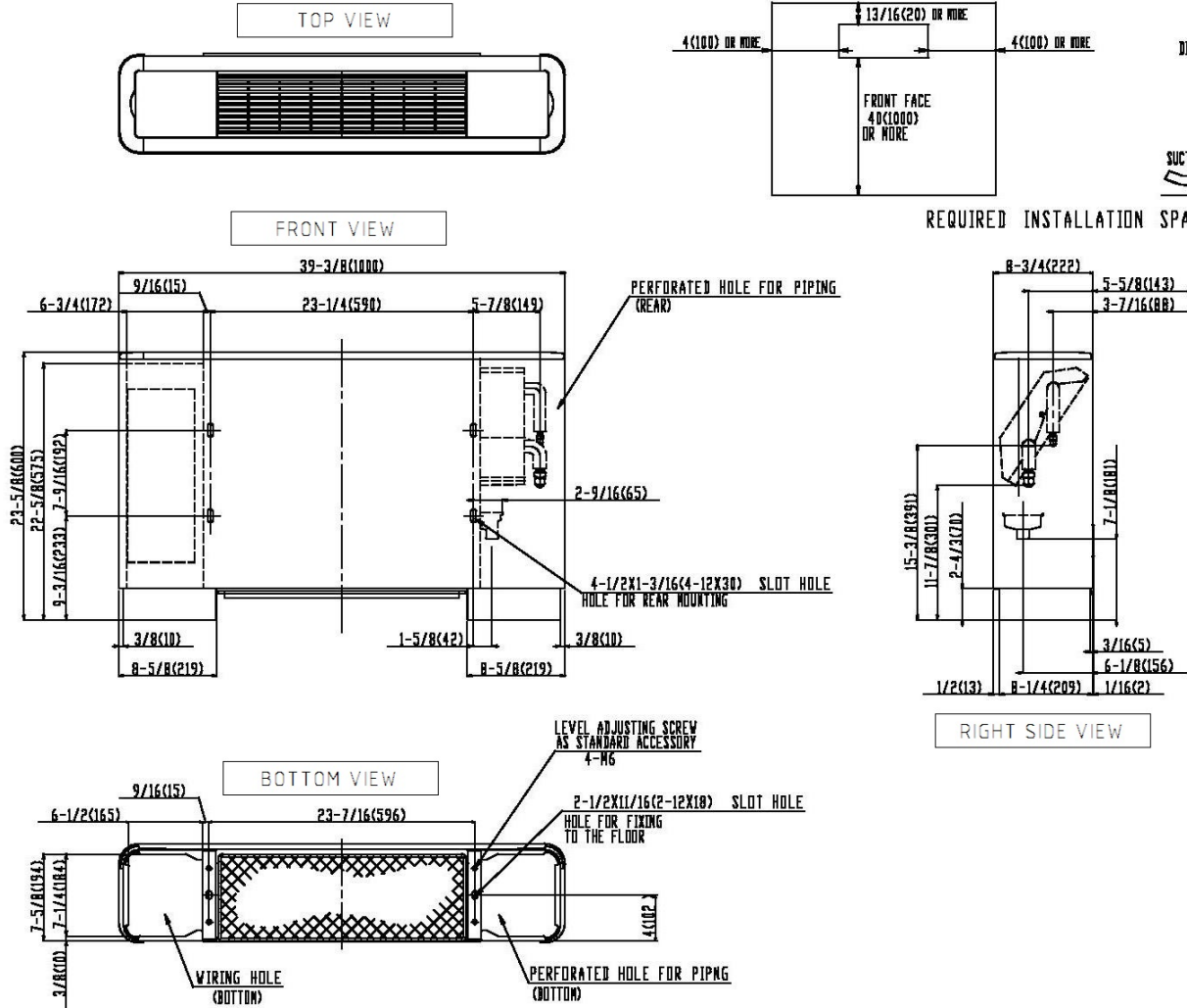
INDOOR UNIT DETAILS

Power Supply (V/Hz/Ph):	208-230 / 60 / 1	Airflow Rate (H/L) (CFM):	245/210
Power Supply Connections:	L1, L2, Ground	Moisture Removal (Gal/hr):	
Min. Circuit Amps MCA (A):	0.30	Gas Pipe Connection (inch):	1/2
Max Overcurrent Protection (MOP) (A):	15.00	Liquid Pipe Connection (inch):	1/4
Dimensions (HxWxD) (in):	23-5/8 x 39-3/8 x 8-3/4	Condensate Connection (inch):	25/32
Panel (HxWxD) (in):		Sound Pressure (H/L) (dBA):	35/32
Net Weight (lb):	58	Sound Power Level (dBA):	
Panel Weight (lb):		Ext. Static Pressure (Rated/Max) (inWg):	0.00 / 0.00

Submittal Data Sheet
 0.75-Ton Floor Standing Unit
 FXLQ09MVJU9

DIMENSIONAL DRAWING

(Unit : in.(mm))





Submittal Data Sheet

1.0-Ton Floor Standing Unit

FXLQ12MVJU9

PERFORMANCE

Indoor Unit Model No.	FXLQ12MVJU9	Indoor Unit Name:	1.0-Ton Floor Standing Unit
Type:	Floor Standing	Rated Cooling Conditions:	Indoor (°F DB/WB): 80 / 67 Ambient (°F DB/WB): 95 / 75
Rated Cooling Capacity (Btu/hr):	12,000	Rated Heating Conditions:	Indoor (°F DB/WB): 70 / 70 Ambient (°F DB/WB): 47 / 43
Sensible Capacity (Btu/hr):	8,300	Rated Piping Length(ft):	
Cooling Input Power (kW):	0.080	Rated Height Separation (ft):	
Rated Heating Capacity (Btu/hr):	13,500		
Heating Input Power (kW):	0.08		

INDOOR UNIT DETAILS

Power Supply (V/Hz/Ph):	208-230 / 60 / 1	Airflow Rate (H/L) (CFM):	280/210
Power Supply Connections:	L1, L2, Ground	Moisture Removal (Gal/hr):	
Min. Circuit Amps MCA (A):	0.50	Gas Pipe Connection (inch):	1/2
Max Overcurrent Protection (MOP) (A):		Liquid Pipe Connection (inch):	1/4
Dimensions (HxWxD) (in):	23-5/8 x 44-3/8 x 8-3/4	Condensate Connection (inch):	53/64
Panel (HxWxD) (in):		Sound Pressure (H/L) (dBA):	36/33
Net Weight (lb):	66	Sound Power Level (dBA):	
Panel Weight (lb):		Ext. Static Pressure (Rated/Max) (inWg):	0.00 / 0.00

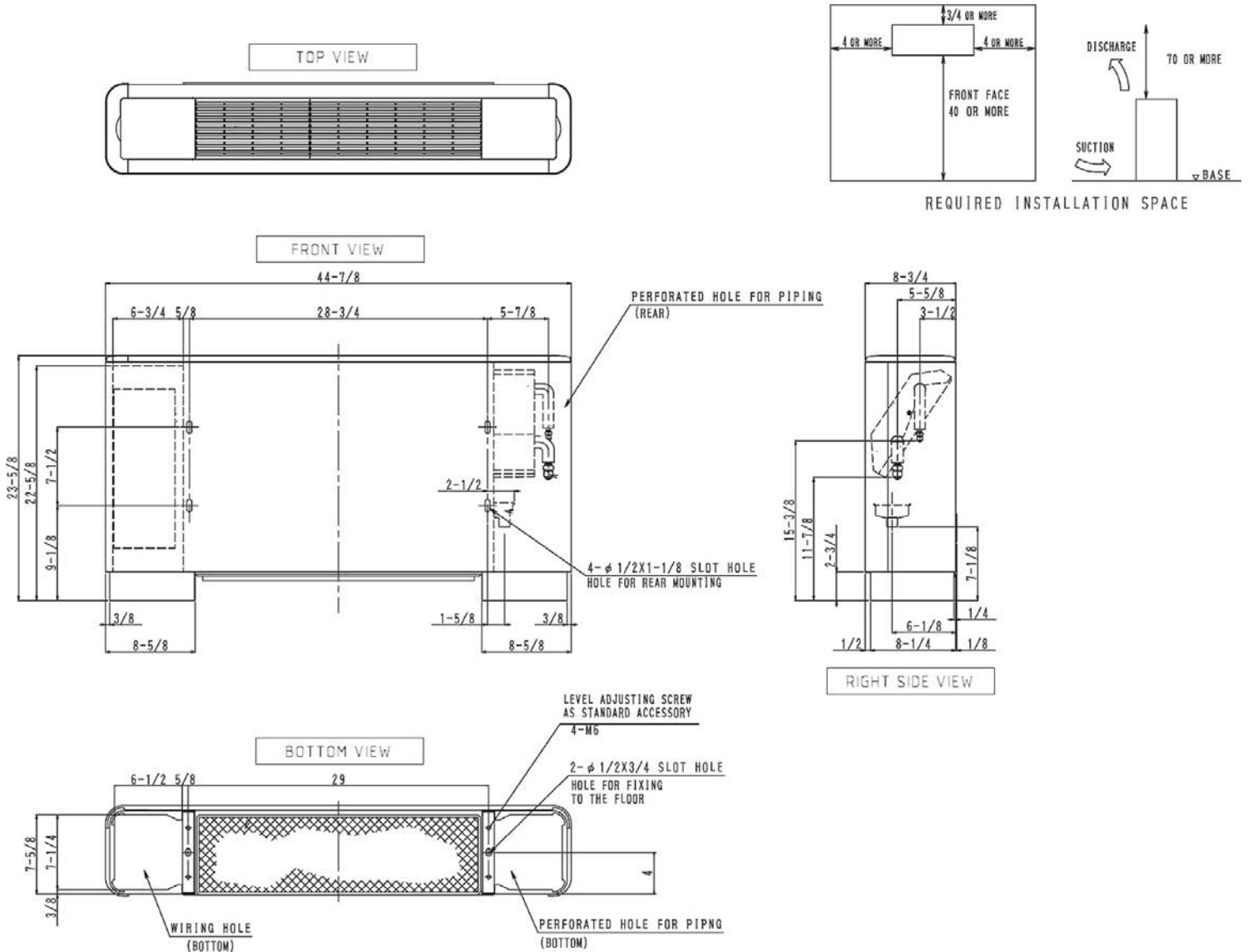
Submittal Data Sheet

1.0-Ton Floor Standing Unit

FXLQ12MVJU9

DIMENSIONAL DRAWING

FXLQ12MVJU9
Unit (in.)





Submittal Data Sheet

1.5-Ton Floor Standing Unit

FXLQ18MVJU9

PERFORMANCE

Indoor Unit Model No.	FXLQ18MVJU9	Indoor Unit Name:	1.5-Ton Floor Standing Unit
Type:	Floor Standing	Rated Cooling Conditions:	Indoor (°F DB/WB): 80 / 67 Ambient (°F DB/WB): 95 / 75
Rated Cooling Capacity (Btu/hr):	18,000	Rated Heating Conditions:	Indoor (°F DB/WB): 70 / 70 Ambient (°F DB/WB): 47 / 43
Sensible Capacity (Btu/hr):	12,200	Rated Piping Length(ft):	
Cooling Input Power (kW):	0.110	Rated Height Separation (ft):	
Rated Heating Capacity (Btu/hr):	20,000		
Heating Input Power (kW):	0.11		

INDOOR UNIT DETAILS

Power Supply (V/Hz/Ph):	208-230 / 60 / 1	Airflow Rate (H/L) (CFM):	490/380
Power Supply Connections:	L1, L2, Ground	Moisture Removal (Gal/hr):	
Min. Circuit Amps MCA (A):	0.60	Gas Pipe Connection (inch):	1/2
Max Overcurrent Protection (MOP) (A):		Liquid Pipe Connection (inch):	1/4
Dimensions (HxWxD) (in):	23-5/8 x 55-7/8 x 8-3/4	Condensate Connection (inch):	53/64
Panel (HxWxD) (in):		Sound Pressure (H/L) (dBA):	40/35
Net Weight (lb):	80	Sound Power Level (dBA):	
Panel Weight (lb):		Ext. Static Pressure (Rated/Max) (inWg):	0.00 / 0.00

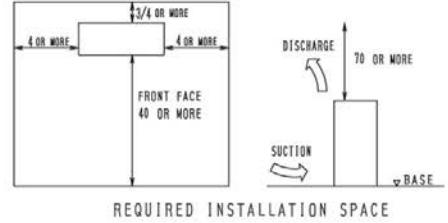
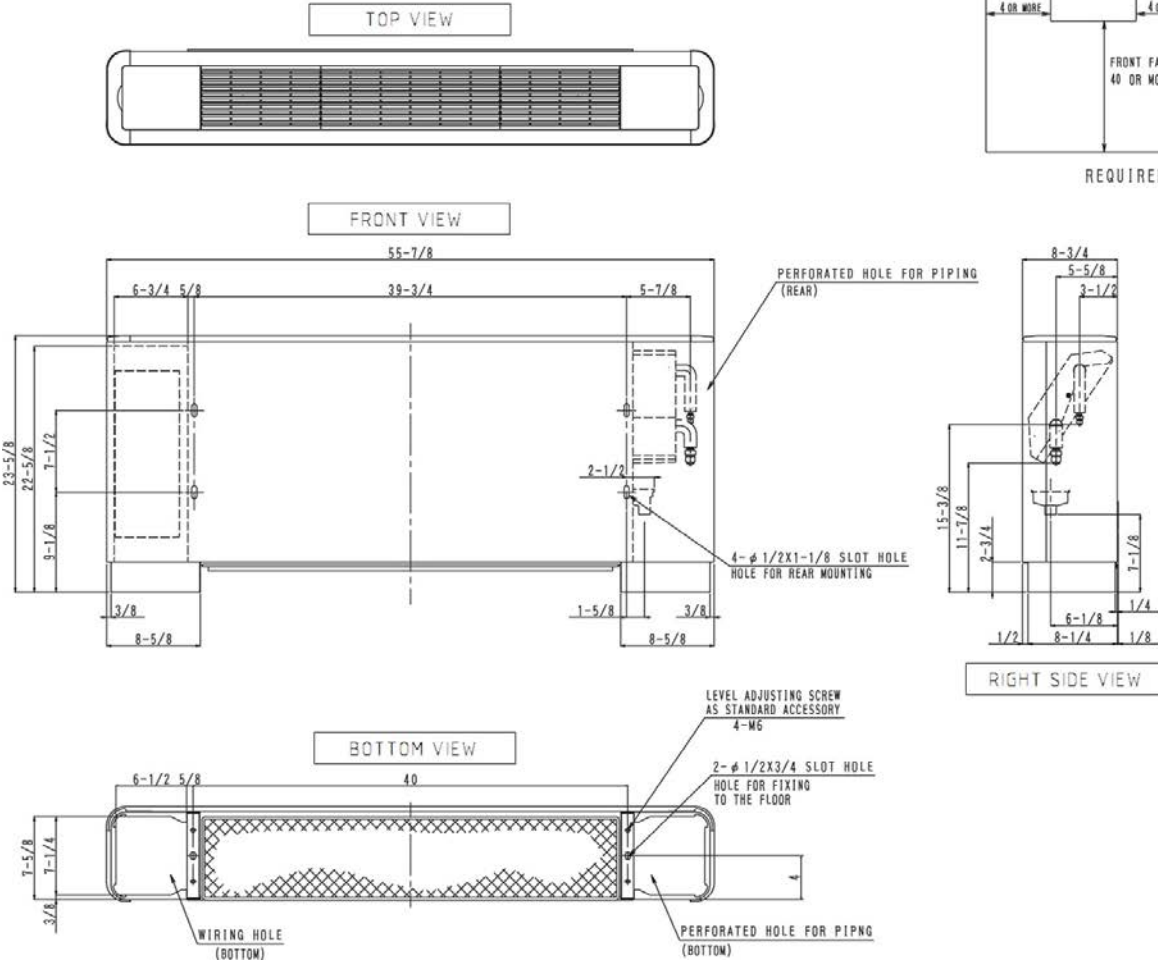
Submittal Data Sheet

1.5-Ton Floor Standing Unit

FXLQ18MVJU9

DIMENSIONAL DRAWING

FXLQ18/24MVJU9
Unit (in.)



Piping size (Field supply)

Indoor unit	Gas side	Liquid side
FXLQ18MVJU9	φ 1/2	φ 1/4
FXLQ24MVJU9	φ 5/8	φ 3/8



Submittal Data Sheet

2.0-Ton Floor Standing Unit

FXLQ24MVJU9

PERFORMANCE

Indoor Unit Model No.	FXLQ24MVJU9	Indoor Unit Name:	2.0-Ton Floor Standing Unit
Type:	Floor Standing	Rated Cooling Conditions:	Indoor (°F DB/WB): 80 / 67 Ambient (°F DB/WB): 95 / 75
Rated Cooling Capacity (Btu/hr):	24,000	Rated Heating Conditions:	Indoor (°F DB/WB): 70 / 70 Ambient (°F DB/WB): 47 / 43
Sensible Capacity (Btu/hr):	15,900	Rated Piping Length(ft):	
Cooling Input Power (kW):	0.110	Rated Height Separation (ft):	
Rated Heating Capacity (Btu/hr):	27,000		
Heating Input Power (kW):	0.11		

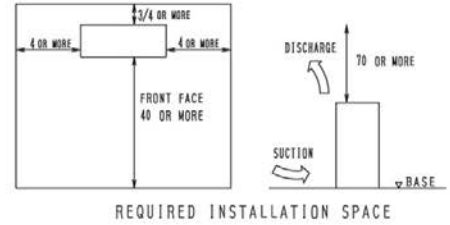
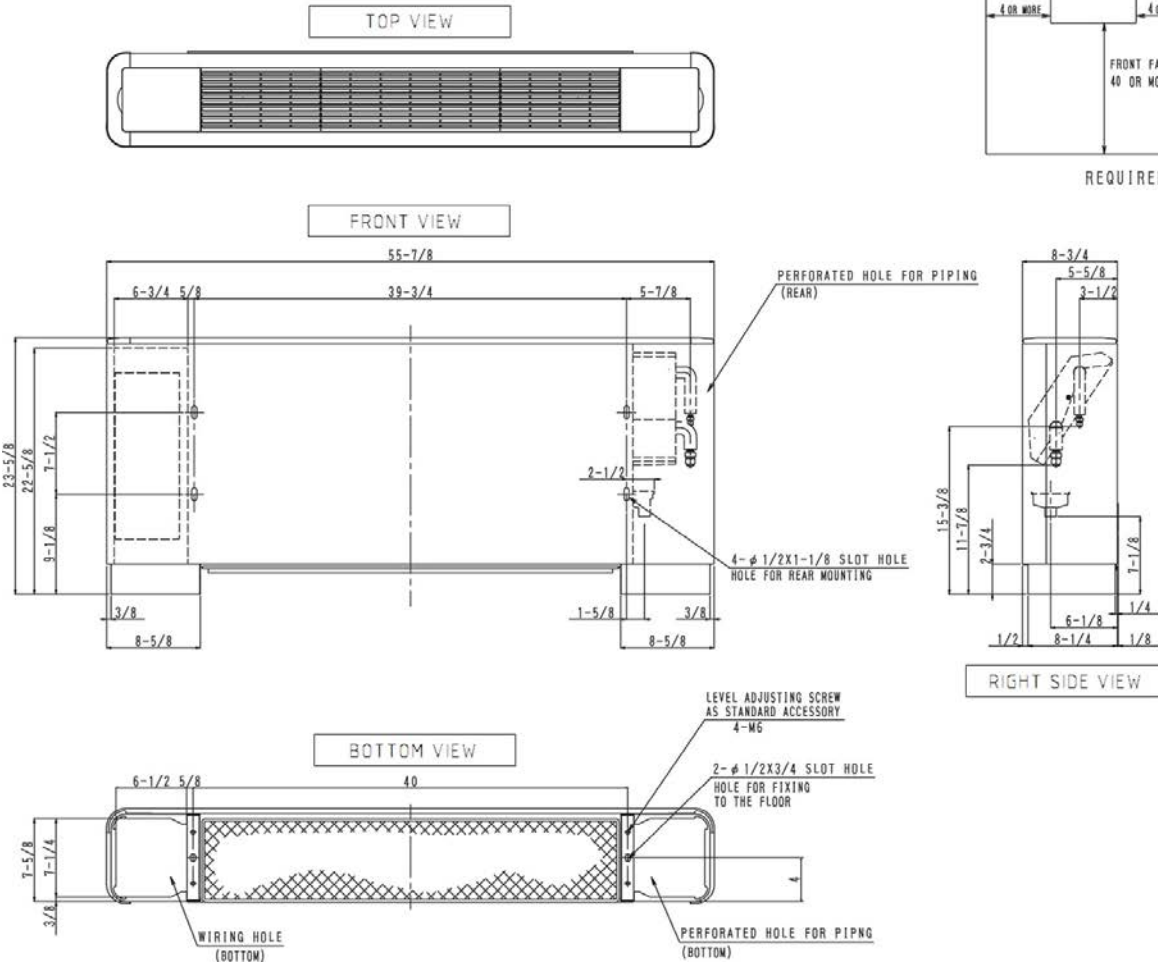
INDOOR UNIT DETAILS

Power Supply (V/Hz/Ph):	208-230 / 60 / 1	Airflow Rate (H/L) (CFM):	560/420
Power Supply Connections:	L1, L2, Ground	Moisture Removal (Gal/hr):	
Min. Circuit Amps MCA (A):	0.60	Gas Pipe Connection (inch):	5/8
Max Overcurrent Protection (MOP) (A):		Liquid Pipe Connection (inch):	3/8
Dimensions (HxWxD) (in):	23-5/8 x 55-7/8 x 8-3/4	Condensate Connection (inch):	53/64
Panel (HxWxD) (in):		Sound Pressure (H/L) (dBA):	41/36
Net Weight (lb):	80	Sound Power Level (dBA):	
Panel Weight (lb):		Ext. Static Pressure (Rated/Max) (inWg):	0.00 / 0.00

Submittal Data Sheet
 2.0-Ton Floor Standing Unit
 FXLQ24MVJU9

DIMENSIONAL DRAWING

FXLQ18/24MVJU9
 Unit (in.)



Piping size (Field supply)

Indoor unit	Gas side	Liquid side
FXLQ18MVJU9	φ 1/2	φ 1/4
FXLQ24MVJU9	φ 5/8	φ 3/8