



Submittal Data Sheets

0.75 to 5.0-Ton Multi Position Air Handling Units

FXTQ_TAVJUA

FEATURES

- Capable of upflow, horizontal-right, horizontal-left, and downflow installation. Downflow installation requires the use of a field installed downflow accessory kit.
- Variable speed ECM motor produces nominal CFM up to 0.9" external static pressure.
- Improved auxiliary heat logic.
- Designed with less than 2% air leakage when tested in accordance with ASHRAE 193.
- All-aluminum coil
- Precise refrigerant modulation from a 2000 pulse electronic expansion valve
- Cool, Dry, Auto, Heat, and Fan operation modes
- Auto Fan Speed automatically adjusts fan speed in relation to space temperature and set point
- Optional slide-in electric heat available
- Configurable Dry mode

BENEFITS

- Optimized fan speed from Auto Fan Speed logic
- Reduced auxiliary heat dead band
- Configurable electric heat on/off points
- Compact foot print fits tight spaces



VRV





Submittal Data Sheet

0.75-Ton Multi Position Air Handling Unit

FXTQ09TAVJUA

PERFORMANCE

Indoor Unit Model No.	FXTQ09TAVJUA	Indoor Unit Name:	0.75-Ton Multi Position Air Handling Unit
Type:	Ducted	Rated Cooling Conditions:	Indoor (°F DB/WB): 80 / 67 Ambient (°F DB/WB): 95 / 75
Rated Cooling Capacity (Btu/hr):	9,500	Rated Heating Conditions:	Indoor (°F DB/WB): 70 / Ambient (°F DB/WB): 47 / 43
Sensible Capacity (Btu/hr):	7,500	Rated Piping Length(ft):	
Cooling Input Power (kW):	0.130	Rated Height Separation (ft):	
Rated Heating Capacity (Btu/hr):	10,500		
Heating Input Power (kW):	0.13		

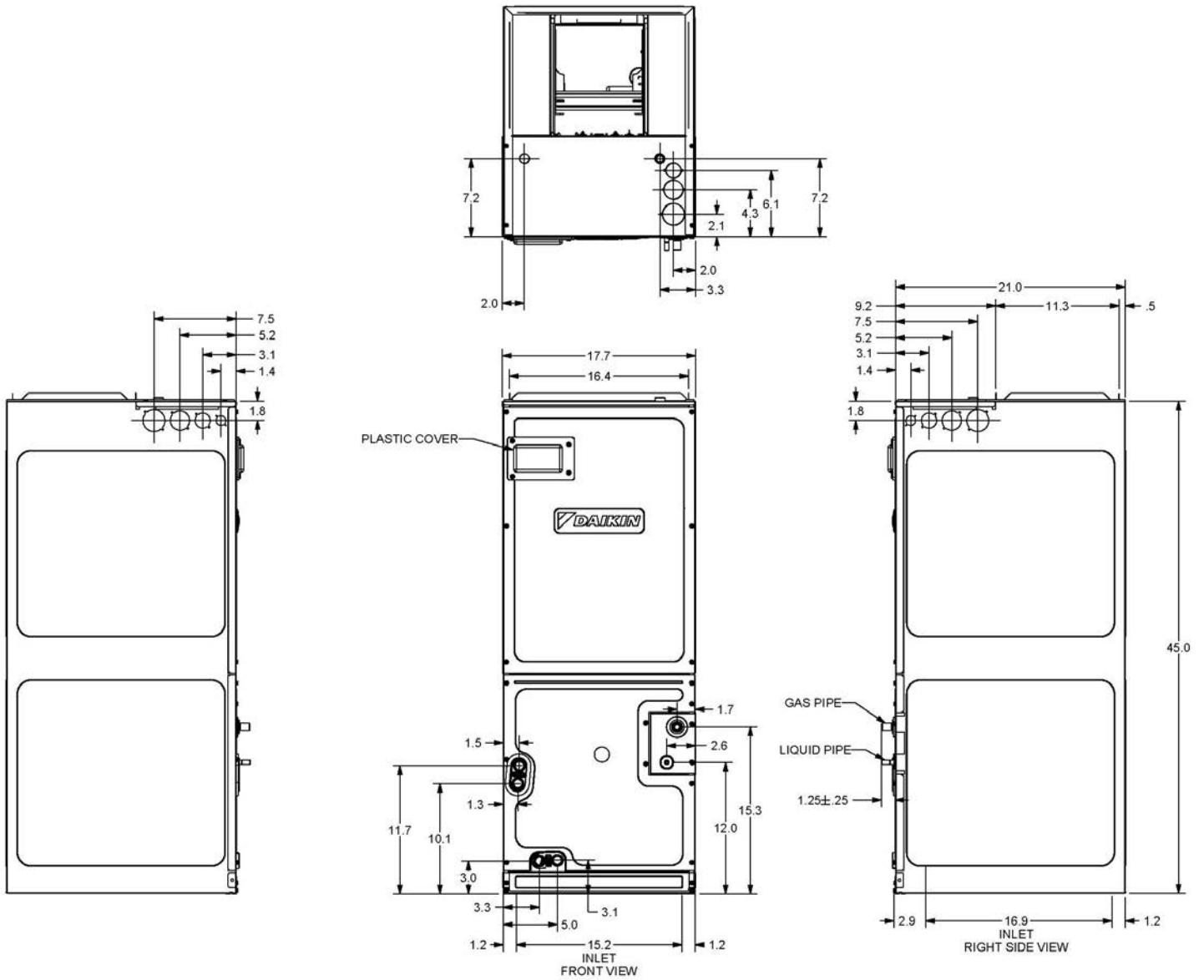
INDOOR UNIT DETAILS

Power Supply (V/Hz/Ph):	208-230 / 60 / 1	Airflow Rate (H/M/L) (CFM):	300/275/250
Power Supply Connections:		Moisture Removal (Gal/hr):	
Min. Circuit Amps MCA (A):	4.90	Gas Pipe Connection (inch):	1/2
Max Overcurrent Protection (MOP) (A):	15.00	Liquid Pipe Connection (inch):	1/4
Dimensions (HxWxD) (in):	45 x 17.5 x 21	Condensate Connection (inch):	3/4
Panel (HxWxD) (in):		Sound Pressure (H) (dBA):	36
Net Weight (lb):		Sound Power Level (dBA):	45
Panel Weight (lb):		Ext. Static Pressure (Rated/Max) (inWg):	0.90 / 0.90



Submittal Data Sheet
 0.75-Ton Multi Position Air Handling Unit
 FXTQ09TAVJUA

DIMENSIONAL DRAWING



FXTQ09/12/18/24/30/36 TAVJU



Submittal Data Sheet

1.0-Ton Multi Position Air Handling Unit

FXTQ12TAVJUA

PERFORMANCE

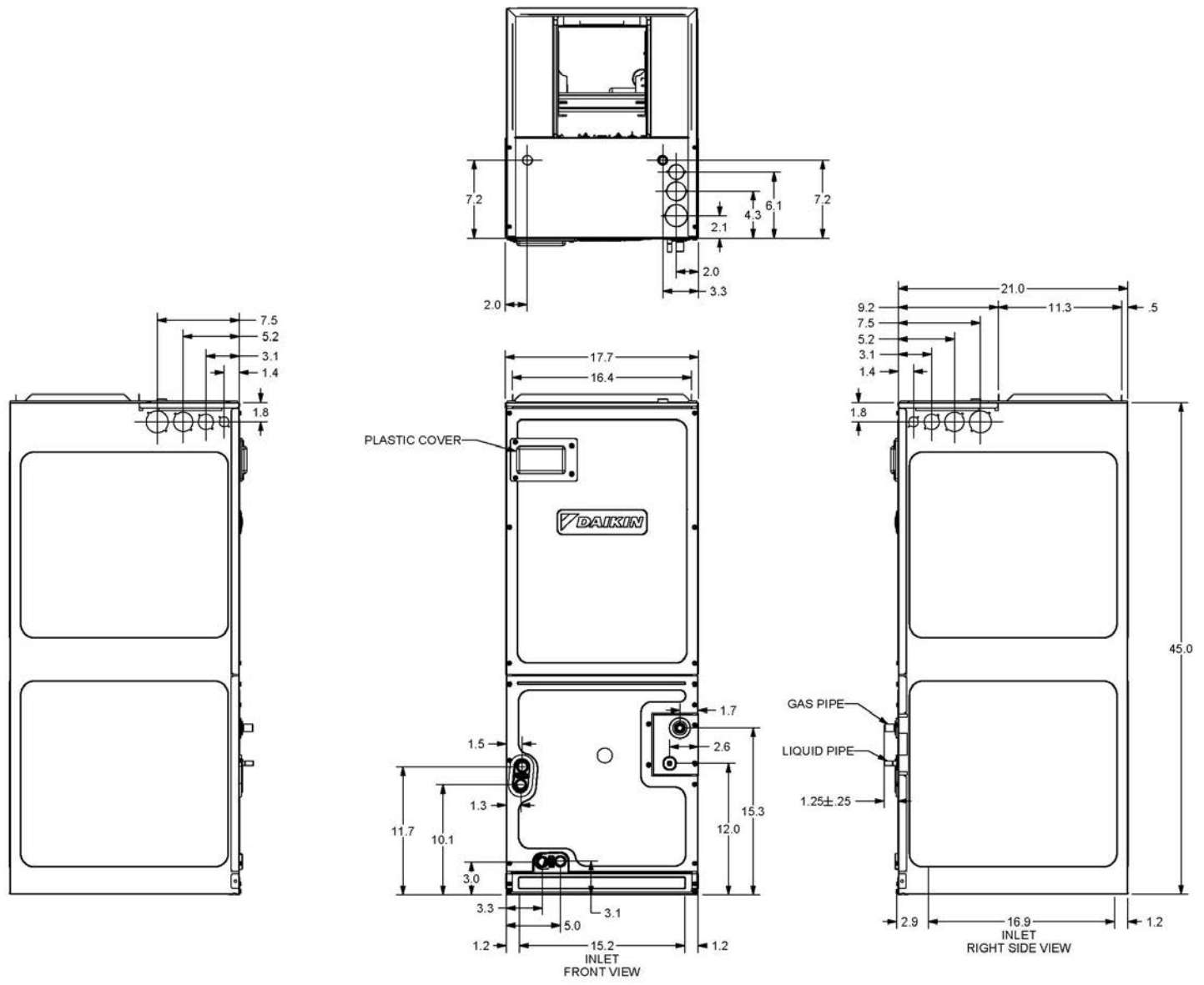
Indoor Unit Model No.	FXTQ12TAVJUA	Indoor Unit Name:	1.0-Ton Multi Position Air Handling Unit
Type:	Ducted	Rated Cooling Conditions:	Indoor (°F DB/WB): 80 / 67 Ambient (°F DB/WB): 95 / 75
Rated Cooling Capacity (Btu/hr):	12,000	Rated Heating Conditions:	Indoor (°F DB/WB): 70 / Ambient (°F DB/WB): 47 / 43
Sensible Capacity (Btu/hr):	9,900	Rated Piping Length(ft):	
Cooling Input Power (kW):	0.150	Rated Height Separation (ft):	
Rated Heating Capacity (Btu/hr):	13,500		
Heating Input Power (kW):	0.15		

INDOOR UNIT DETAILS

Power Supply (V/Hz/Ph):	208-230 / 60 / 1	Airflow Rate (H/M/L) (CFM):	400/340/280
Power Supply Connections:		Moisture Removal (Gal/hr):	
Min. Circuit Amps MCA (A):	4.90	Gas Pipe Connection (inch):	1/2
Max Overcurrent Protection (MOP) (A):	15.00	Liquid Pipe Connection (inch):	1/4
Dimensions (HxWxD) (in):	45 x 17.5 x 21	Condensate Connection (inch):	3/4
Panel (HxWxD) (in):		Sound Pressure (H) (dBA):	36
Net Weight (lb):		Sound Power Level (dBA):	45
Panel Weight (lb):		Ext. Static Pressure (Rated/Max) (inWg):	0.90 / 0.90

Submittal Data Sheet
 1.0-Ton Multi Position Air Handling Unit
 FXTQ12TAVJUA

DIMENSIONAL DRAWING



FXTQ09/12/18/24/30/36 TAVJU



Submittal Data Sheet

1.5-Ton Multi Position Air Handling Unit

FXTQ18TAVJUA

PERFORMANCE

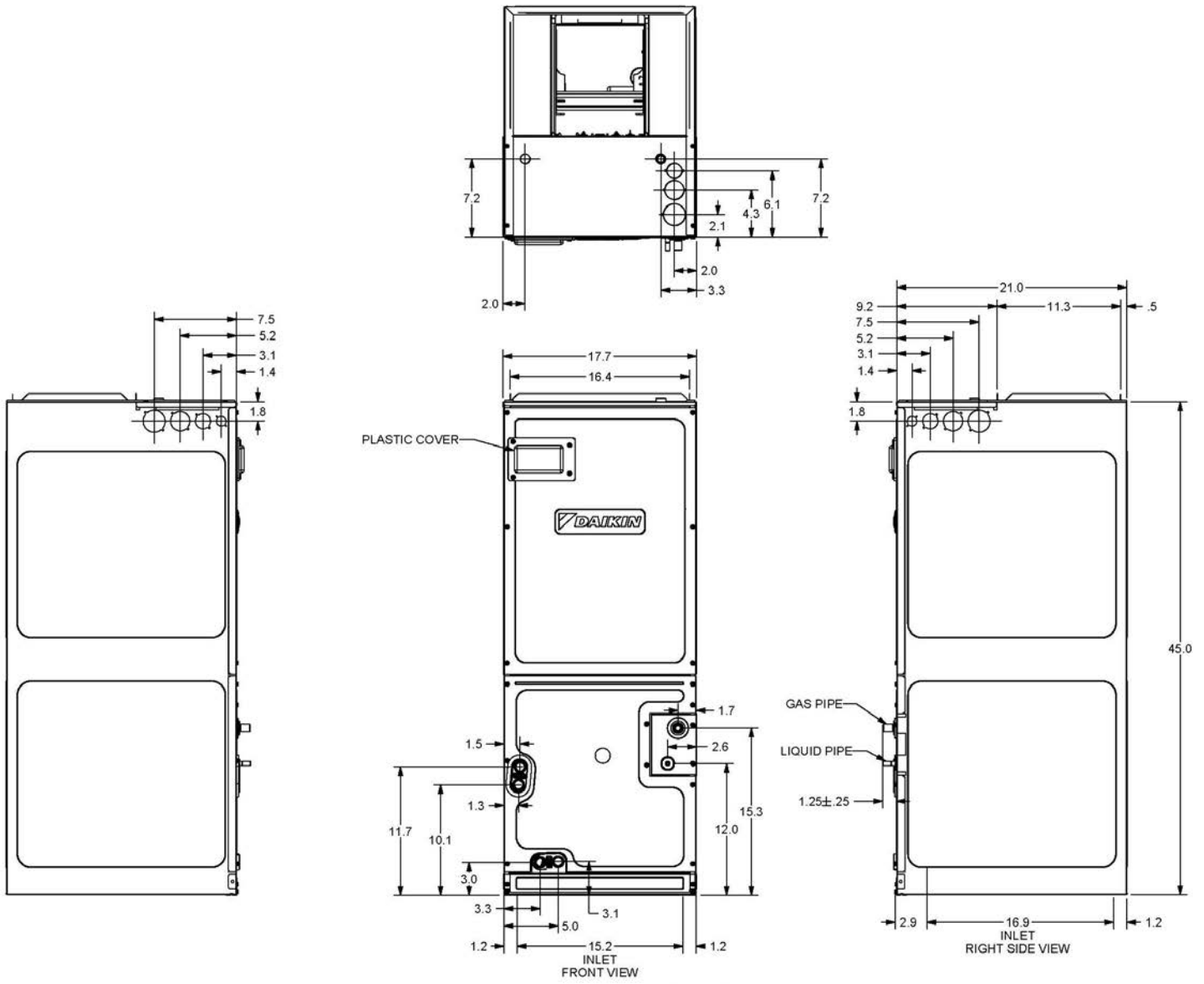
Indoor Unit Model No.	FXTQ18TAVJUA	Indoor Unit Name:	1.5-Ton Multi Position Air Handling Unit
Type:	Ducted	Rated Cooling Conditions:	Indoor (°F DB/WB): 80 / 67 Ambient (°F DB/WB): 95 / 75
Rated Cooling Capacity (Btu/hr):	18,000	Rated Heating Conditions:	Indoor (°F DB/WB): 70 / Ambient (°F DB/WB): 47 / 43
Sensible Capacity (Btu/hr):	12,700	Rated Piping Length(ft):	
Cooling Input Power (kW):	0.220	Rated Height Separation (ft):	
Rated Heating Capacity (Btu/hr):	20,000		
Heating Input Power (kW):	0.22		

INDOOR UNIT DETAILS

Power Supply (V/Hz/Ph):	208-230 / 60 / 1	Airflow Rate (H/M/L) (CFM):	600/510/420
Power Supply Connections:		Moisture Removal (Gal/hr):	
Min. Circuit Amps MCA (A):	4.90	Gas Pipe Connection (inch):	1/2
Max Overcurrent Protection (MOP) (A):	15.00	Liquid Pipe Connection (inch):	1/4
Dimensions (HxWxD) (in):	45 x 17.5 x 21	Condensate Connection (inch):	3/4
Panel (HxWxD) (in):		Sound Pressure (H) (dBA):	45
Net Weight (lb):	115	Sound Power Level (dBA):	53
Panel Weight (lb):		Ext. Static Pressure (Rated/Max) (inWg):	0.90 / 0.90

Submittal Data Sheet
 1.5-Ton Multi Position Air Handling Unit
 FXTQ18TAVJUA

DIMENSIONAL DRAWING



FXTQ09/12/18/24/30/36 TAVJU



Submittal Data Sheet

2.0-Ton Multi Position Air Handling Unit

FXTQ24TAVJUA

PERFORMANCE

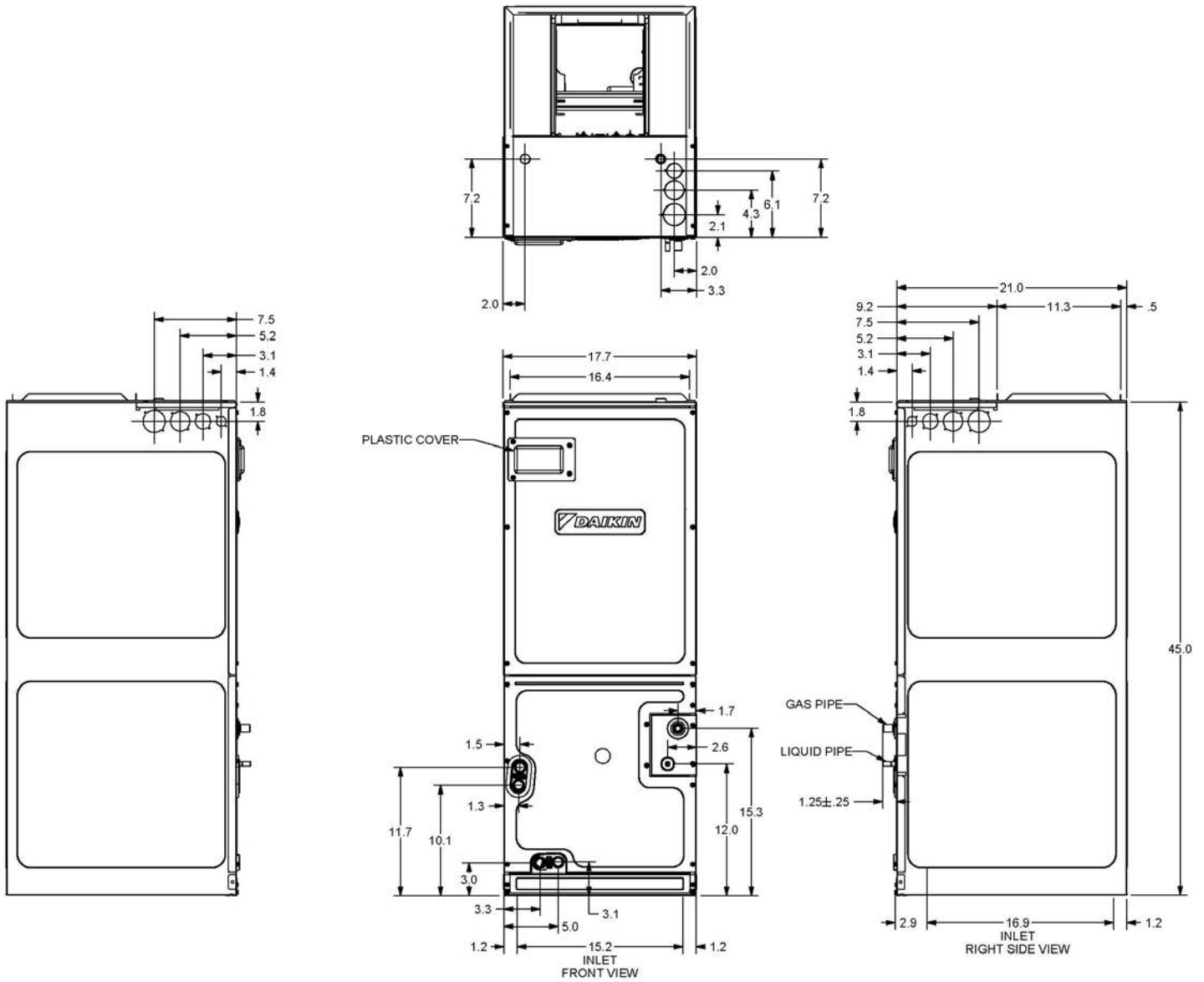
Indoor Unit Model No.	FXTQ24TAVJUA	Indoor Unit Name:	2.0-Ton Multi Position Air Handling Unit
Type:	Ducted	Rated Cooling Conditions:	Indoor (°F DB/WB): 80 / 67 Ambient (°F DB/WB): 95 / 75
Rated Cooling Capacity (Btu/hr):	24,000	Rated Heating Conditions:	Indoor (°F DB/WB): 70 / Ambient (°F DB/WB): 47 / 43
Sensible Capacity (Btu/hr):	16,900	Rated Piping Length(ft):	
Cooling Input Power (kW):	0.270	Rated Height Separation (ft):	
Rated Heating Capacity (Btu/hr):	27,000		
Heating Input Power (kW):	0.27		

INDOOR UNIT DETAILS

Power Supply (V/Hz/Ph):	208-230 / 60 / 1	Airflow Rate (H/M/L) (CFM):	800/680/560
Power Supply Connections:		Moisture Removal (Gal/hr):	
Min. Circuit Amps MCA (A):	4.90	Gas Pipe Connection (inch):	5/8
Max Overcurrent Protection (MOP) (A):	15.00	Liquid Pipe Connection (inch):	3/8
Dimensions (HxWxD) (in):	45 x 17.5 x 21	Condensate Connection (inch):	3/4
Panel (HxWxD) (in):		Sound Pressure (H) (dBA):	45
Net Weight (lb):	115	Sound Power Level (dBA):	53
Panel Weight (lb):		Ext. Static Pressure (Rated/Max) (inWg):	0.90 / 0.90

Submittal Data Sheet
 2.0-Ton Multi Position Air Handling Unit
 FXTQ24TAVJUA

DIMENSIONAL DRAWING



FXTQ09/12/18/24/30/36 TAVJU



Submittal Data Sheet

2.5-Ton Multi Position Air Handling Unit

FXTQ30TAVJUA

PERFORMANCE

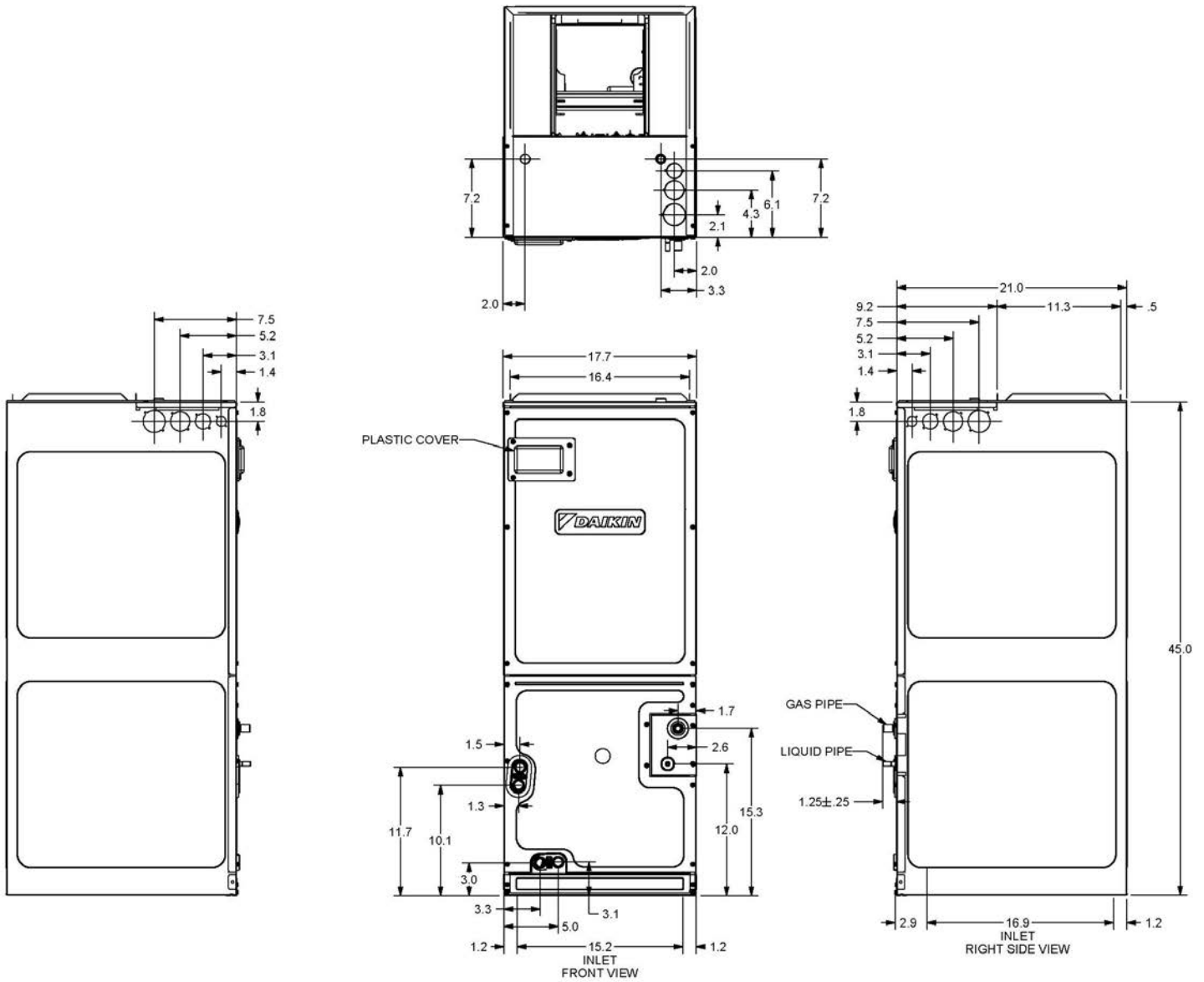
Indoor Unit Model No.	FXTQ30TAVJUA	Indoor Unit Name:	2.5-Ton Multi Position Air Handling Unit
Type:	Ducted	Rated Cooling Conditions:	Indoor (°F DB/WB): 80 / 67 Ambient (°F DB/WB): 95 / 75
Rated Cooling Capacity (Btu/hr):	30,000	Rated Heating Conditions:	Indoor (°F DB/WB): 70 / Ambient (°F DB/WB): 47 / 43
Sensible Capacity (Btu/hr):	21,400	Rated Piping Length(ft):	
Cooling Input Power (kW):	0.410	Rated Height Separation (ft):	
Rated Heating Capacity (Btu/hr):	34,000		
Heating Input Power (kW):	0.41		

INDOOR UNIT DETAILS

Power Supply (V/Hz/Ph):	208-230 / 60 / 1	Airflow Rate (H/M/L) (CFM):	1,000/850/700
Power Supply Connections:		Moisture Removal (Gal/hr):	
Min. Circuit Amps MCA (A):	4.90	Gas Pipe Connection (inch):	5/8
Max Overcurrent Protection (MOP) (A):	15.00	Liquid Pipe Connection (inch):	3/8
Dimensions (HxWxD) (in):	45 x 17.5 x 21	Condensate Connection (inch):	3/4
Panel (HxWxD) (in):		Sound Pressure (H) (dBA):	52
Net Weight (lb):	115	Sound Power Level (dBA):	60
Panel Weight (lb):		Ext. Static Pressure (Rated/Max) (inWg):	0.90 / 0.90

Submittal Data Sheet
 2.5-Ton Multi Position Air Handling Unit
 FXTQ30TAVJUA

DIMENSIONAL DRAWING



FXTQ09/12/18/24/30/36 TAVJU



Submittal Data Sheet

3.0-Ton Multi Position Air Handling Unit

FXTQ36TAVJUA

PERFORMANCE

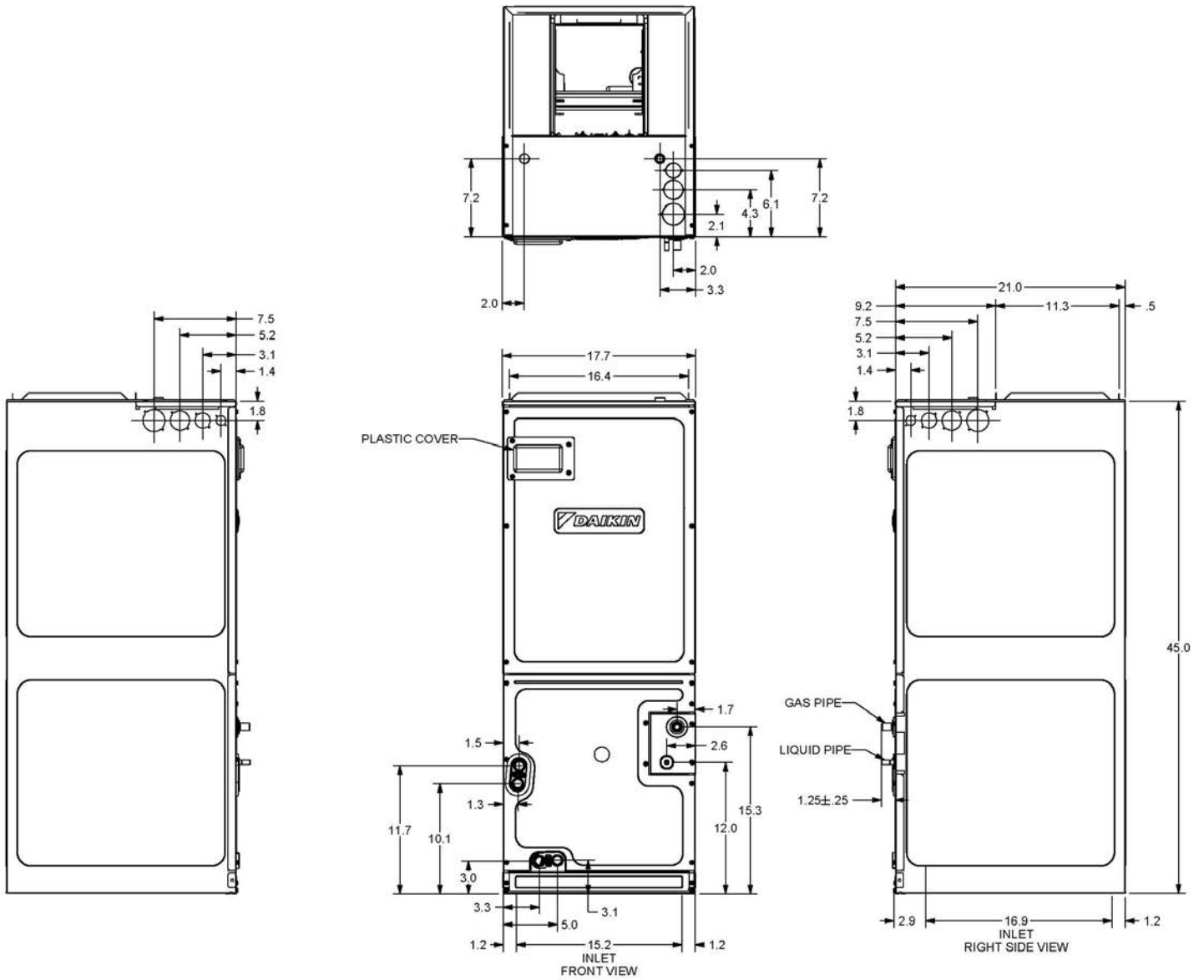
Indoor Unit Model No.	FXTQ36TAVJUA	Indoor Unit Name:	3.0-Ton Multi Position Air Handling Unit
Type:	Ducted	Rated Cooling Conditions:	Indoor (°F DB/WB): 80 / 67 Ambient (°F DB/WB): 95 / 75
Rated Cooling Capacity (Btu/hr):	36,000	Rated Heating Conditions:	Indoor (°F DB/WB): 70 / Ambient (°F DB/WB): 47 / 43
Sensible Capacity (Btu/hr):	24,400	Rated Piping Length(ft):	
Cooling Input Power (kW):	0.440	Rated Height Separation (ft):	
Rated Heating Capacity (Btu/hr):	40,000		
Heating Input Power (kW):	0.44		

INDOOR UNIT DETAILS

Power Supply (V/Hz/Ph):	208-230 / 60 / 1	Airflow Rate (H/M/L) (CFM):	1,050/900/750
Power Supply Connections:		Moisture Removal (Gal/hr):	
Min. Circuit Amps MCA (A):	4.90	Gas Pipe Connection (inch):	5/8
Max Overcurrent Protection (MOP) (A):	15.00	Liquid Pipe Connection (inch):	3/8
Dimensions (HxWxD) (in):	45 x 17.5 x 21	Condensate Connection (inch):	3/4
Panel (HxWxD) (in):		Sound Pressure (H) (dBA):	52
Net Weight (lb):	140	Sound Power Level (dBA):	60
Panel Weight (lb):		Ext. Static Pressure (Rated/Max) (inWg):	0.90 / 0.90

Submittal Data Sheet
 3.0-Ton Multi Position Air Handling Unit
 FXTQ36TAVJUA

DIMENSIONAL DRAWING



FXTQ09/12/18/24/30/36 TAVJU



Submittal Data Sheet

3.5-Ton Multi Position Air Handling Unit

FXTQ42TAVJUA

PERFORMANCE

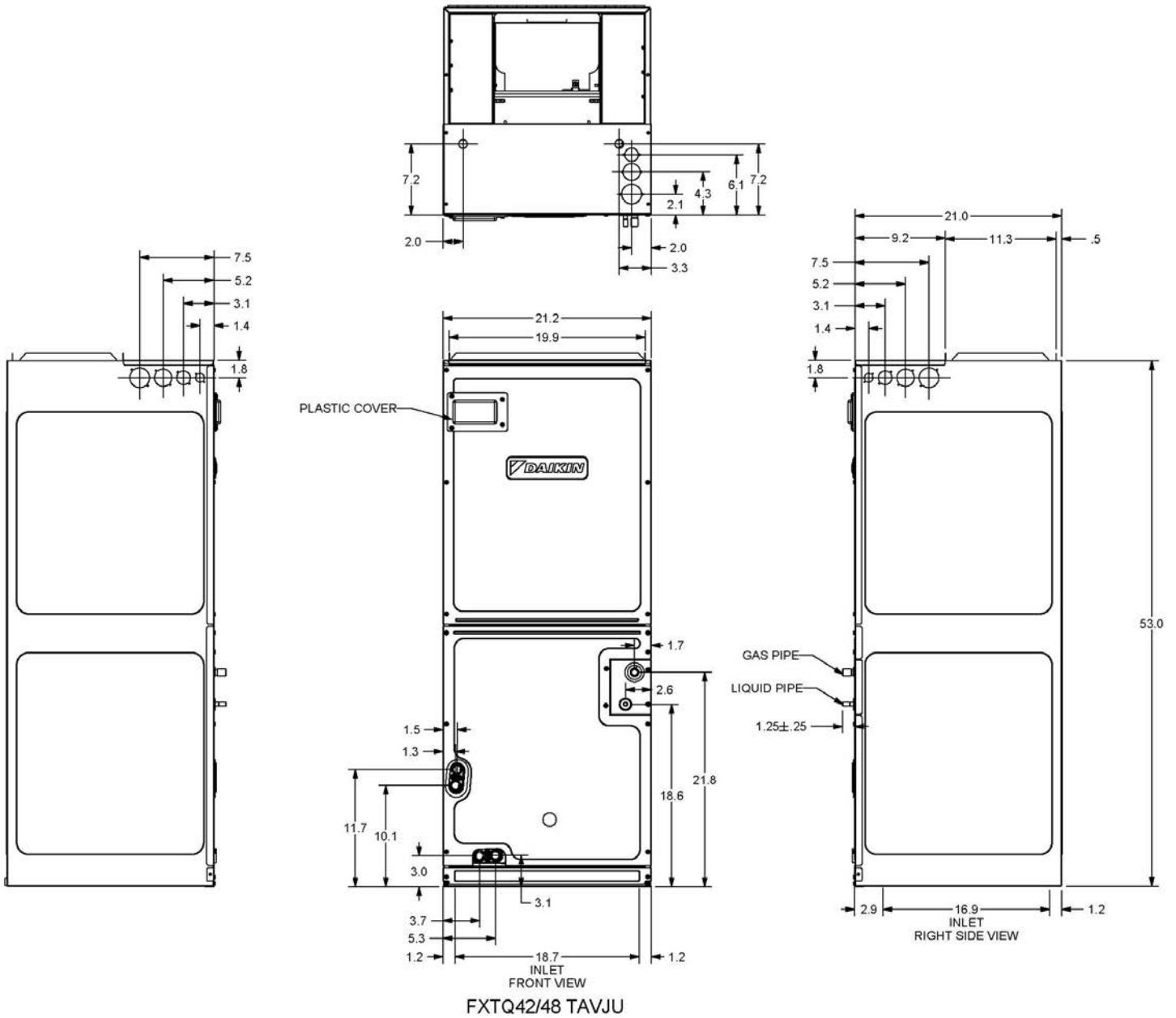
Indoor Unit Model No.	FXTQ42TAVJUA	Indoor Unit Name:	3.5-Ton Multi Position Air Handling Unit
Type:	Ducted	Rated Cooling Conditions:	Indoor (°F DB/WB): 80 / 67 Ambient (°F DB/WB): 95 / 75
Rated Cooling Capacity (Btu/hr):	42,000	Rated Heating Conditions:	Indoor (°F DB/WB): 70 / Ambient (°F DB/WB): 47 / 43
Sensible Capacity (Btu/hr):	30,600	Rated Piping Length(ft):	
Cooling Input Power (kW):	0.470	Rated Height Separation (ft):	
Rated Heating Capacity (Btu/hr):	46,000		
Heating Input Power (kW):	0.47		

INDOOR UNIT DETAILS

Power Supply (V/Hz/Ph):	208-230 / 60 / 1	Airflow Rate (H/M/L) (CFM):	1,400/1,190/980
Power Supply Connections:		Moisture Removal (Gal/hr):	
Min. Circuit Amps MCA (A):	6.50	Gas Pipe Connection (inch):	5/8
Max Overcurrent Protection (MOP) (A):	15.00	Liquid Pipe Connection (inch):	3/8
Dimensions (HxWxD) (in):	53.43 x 21 x 21	Condensate Connection (inch):	3/4
Panel (HxWxD) (in):		Sound Pressure (H) (dBA):	54
Net Weight (lb):	150	Sound Power Level (dBA):	62
Panel Weight (lb):		Ext. Static Pressure (Rated/Max) (inWg):	0.90 / 0.90

Submittal Data Sheet
 3.5-Ton Multi Position Air Handling Unit
 FXTQ42TAVJUA

DIMENSIONAL DRAWING





Submittal Data Sheet

4.0-Ton Multi Position Air Handling Unit

FXTQ48TAVJUA

PERFORMANCE

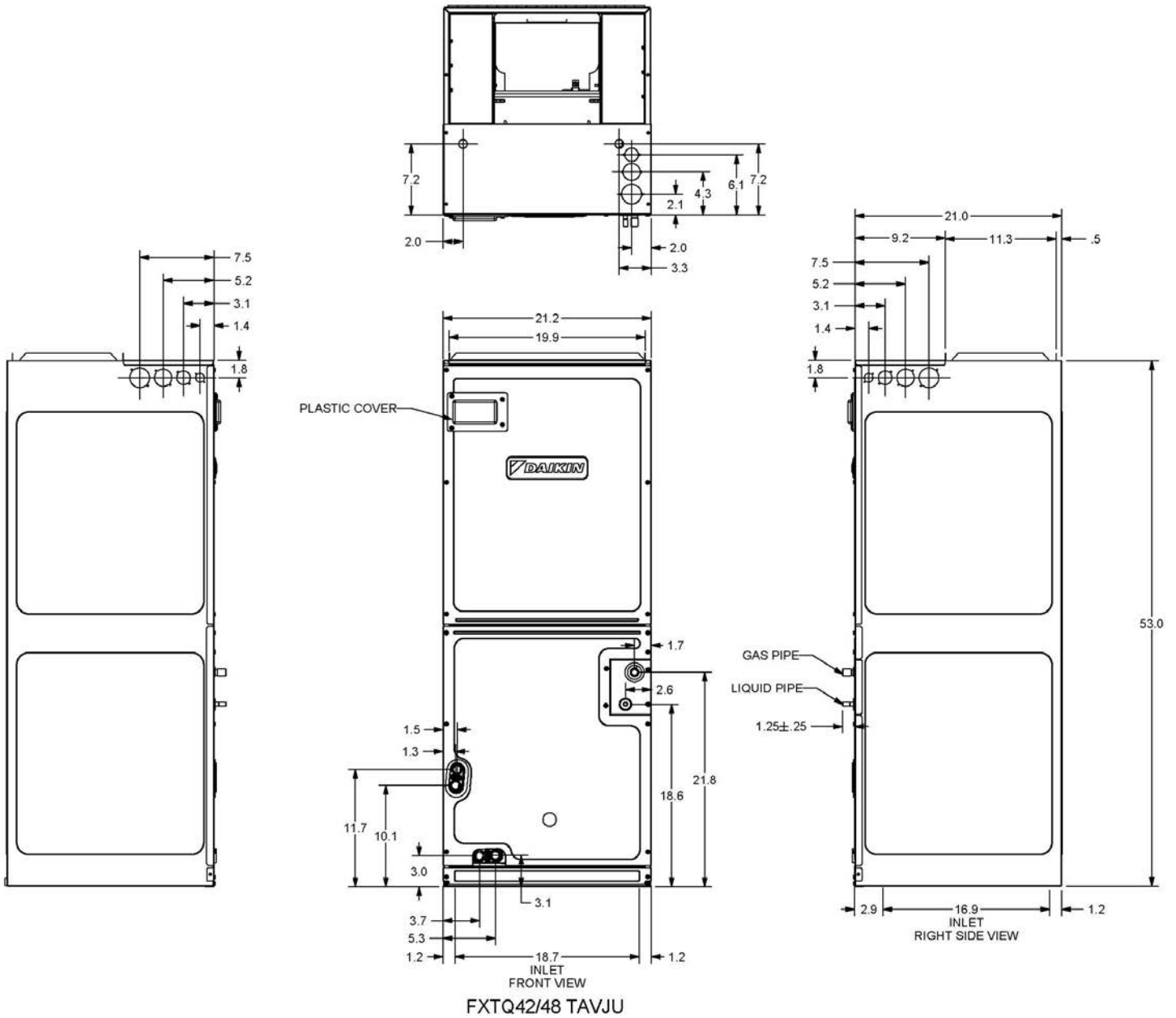
Indoor Unit Model No.	FXTQ48TAVJUA	Indoor Unit Name:	4.0-Ton Multi Position Air Handling Unit
Type:	Ducted	Rated Cooling Conditions:	Indoor (°F DB/WB): 80 / 67 Ambient (°F DB/WB): 95 / 75
Rated Cooling Capacity (Btu/hr):	48,000	Rated Heating Conditions:	Indoor (°F DB/WB): / 70 Ambient (°F DB/WB): 47 / 43
Sensible Capacity (Btu/hr):	32,700	Rated Piping Length(ft):	
Cooling Input Power (kW):	0.520	Rated Height Separation (ft):	
Rated Heating Capacity (Btu/hr):	54,000		
Heating Input Power (kW):	0.52		

INDOOR UNIT DETAILS

Power Supply (V/Hz/Ph):	208-230 / 60 / 1	Airflow Rate (H/M/L) (CFM):	1,520/1,290/1,060
Power Supply Connections:		Moisture Removal (Gal/hr):	
Min. Circuit Amps MCA (A):	6.50	Gas Pipe Connection (inch):	5/8
Max Overcurrent Protection (MOP) (A):	15.00	Liquid Pipe Connection (inch):	3/8
Dimensions (HxWxD) (in):	53.43 x 21 x 21	Condensate Connection (inch):	3/4
Panel (HxWxD) (in):		Sound Pressure (H) (dBA):	54
Net Weight (lb):	150	Sound Power Level (dBA):	62
Panel Weight (lb):		Ext. Static Pressure (Rated/Max) (inWg):	0.90 / 0.90

Submittal Data Sheet
 4.0-Ton Multi Position Air Handling Unit
 FXTQ48TAVJUA

DIMENSIONAL DRAWING





Submittal Data Sheet

4.5-Ton Multi Position Air Handling Unit

FXTQ54TAVJUA

PERFORMANCE

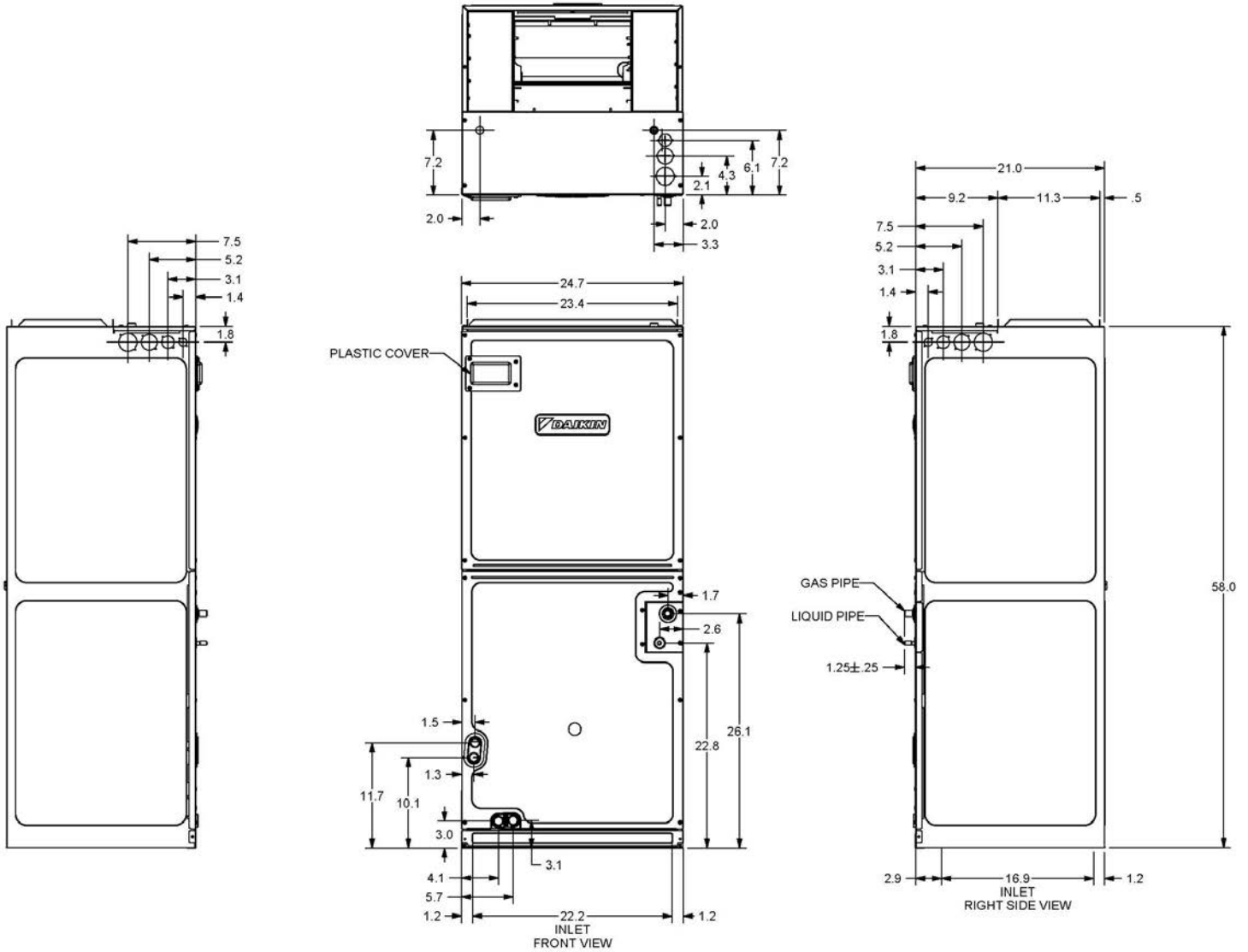
Indoor Unit Model No.	FXTQ54TAVJUA	Indoor Unit Name:	4.5-Ton Multi Position Air Handling Unit
Type:	Ducted	Rated Cooling Conditions:	Indoor (°F DB/WB): 80 / 67 Ambient (°F DB/WB): 95 / 75
Rated Cooling Capacity (Btu/hr):	54,000	Rated Heating Conditions:	Indoor (°F DB/WB): 70 / Ambient (°F DB/WB): 47 / 43
Sensible Capacity (Btu/hr):	39,300	Rated Piping Length(ft):	
Cooling Input Power (kW):	0.680	Rated Height Separation (ft):	
Rated Heating Capacity (Btu/hr):	60,000		
Heating Input Power (kW):	0.68		

INDOOR UNIT DETAILS

Power Supply (V/Hz/Ph):	208-230 / 60 / 1	Airflow Rate (H/M/L) (CFM):	1,800/1,530/1,260
Power Supply Connections:		Moisture Removal (Gal/hr):	
Min. Circuit Amps MCA (A):	8.60	Gas Pipe Connection (inch):	5/8
Max Overcurrent Protection (MOP) (A):	15.00	Liquid Pipe Connection (inch):	3/8
Dimensions (HxWxD) (in):	58 x 24.5 x 21	Condensate Connection (inch):	3/4
Panel (HxWxD) (in):		Sound Pressure (H) (dBA):	50
Net Weight (lb):		Sound Power Level (dBA):	59
Panel Weight (lb):		Ext. Static Pressure (Rated/Max) (inWg):	0.90 / 0.90

Submittal Data Sheet
 4.5-Ton Multi Position Air Handling Unit
 FXTQ54TAVJUA

DIMENSIONAL DRAWING



FXTQ54/60 TAVJU



Submittal Data Sheet

5.0-Ton Multi Position Air Handling Unit

FXTQ60TAVJUA

PERFORMANCE

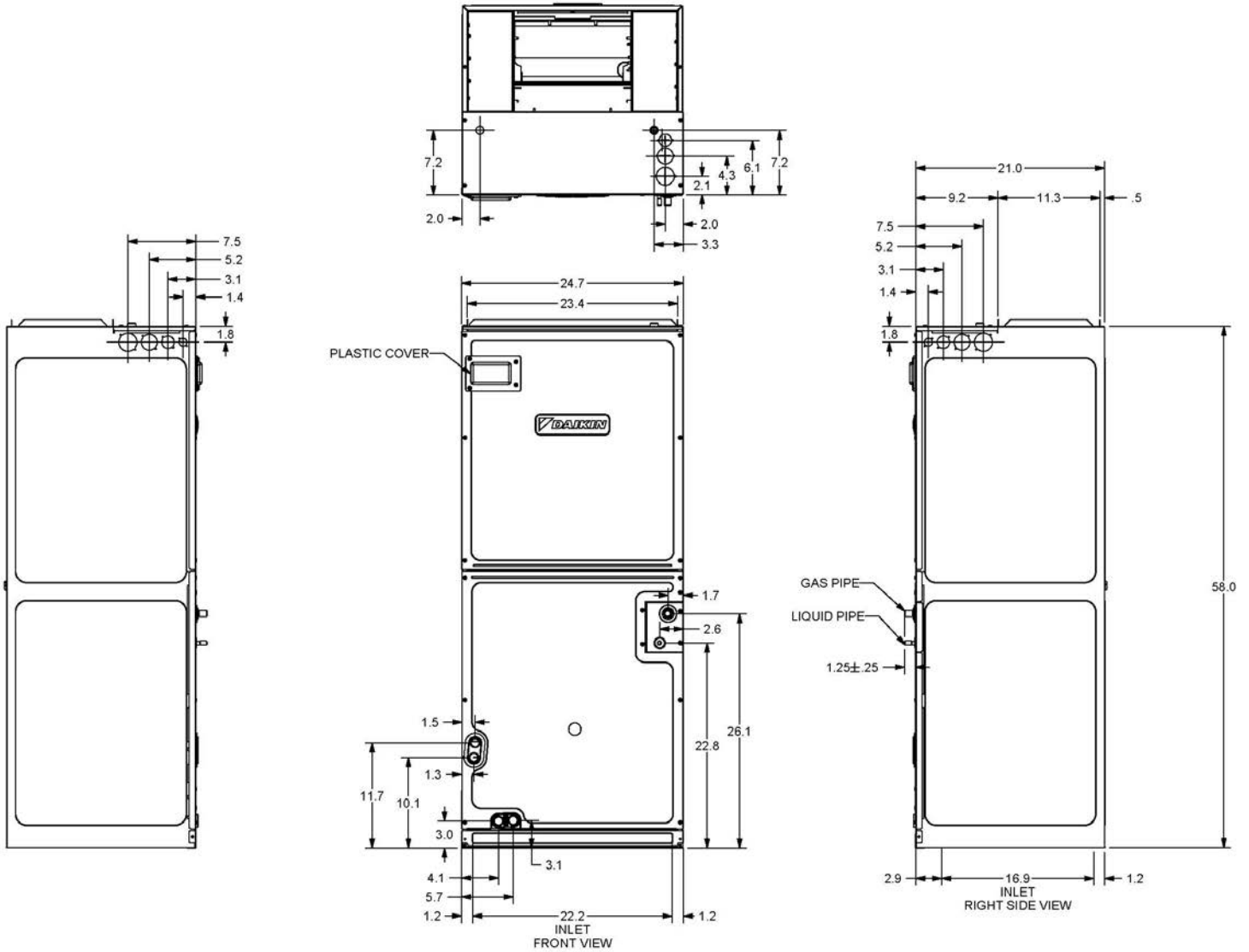
Indoor Unit Model No.	FXTQ60TAVJUA	Indoor Unit Name:	5.0-Ton Multi Position Air Handling Unit
Type:	Ducted	Rated Cooling Conditions:	Indoor (°F DB/WB): 80 / 67 Ambient (°F DB/WB): 95 / 75
Rated Cooling Capacity (Btu/hr):	60,000	Rated Heating Conditions:	Indoor (°F DB/WB): 70 / Ambient (°F DB/WB): 47 / 43
Sensible Capacity (Btu/hr):	41,300	Rated Piping Length(ft):	
Cooling Input Power (kW):	0.680	Rated Height Separation (ft):	
Rated Heating Capacity (Btu/hr):	66,000		
Heating Input Power (kW):	0.68		

INDOOR UNIT DETAILS

Power Supply (V/Hz/Ph):	208-230 / 60 / 1	Airflow Rate (H/M/L) (CFM):	1,800/1,530/1,260
Power Supply Connections:		Moisture Removal (Gal/hr):	
Min. Circuit Amps MCA (A):	8.90	Gas Pipe Connection (inch):	5/8
Max Overcurrent Protection (MOP) (A):	15.00	Liquid Pipe Connection (inch):	3/8
Dimensions (HxWxD) (in):	58 x 24.5 x 21	Condensate Connection (inch):	3/4
Panel (HxWxD) (in):		Sound Pressure (H) (dBA):	50
Net Weight (lb):		Sound Power Level (dBA):	59
Panel Weight (lb):		Ext. Static Pressure (Rated/Max) (inWg):	0.90 / 0.90

Submittal Data Sheet
 5.0-Ton Multi Position Air Handling Unit
 FXTQ60TAVJUA

DIMENSIONAL DRAWING



FXTQ54/60 TAVJU