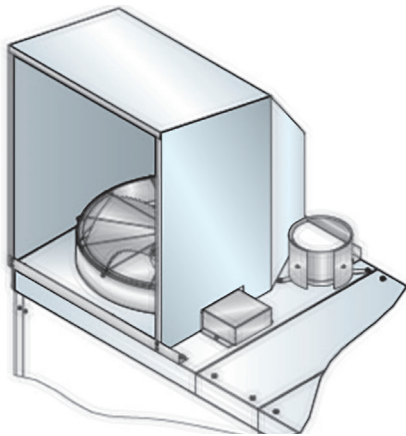


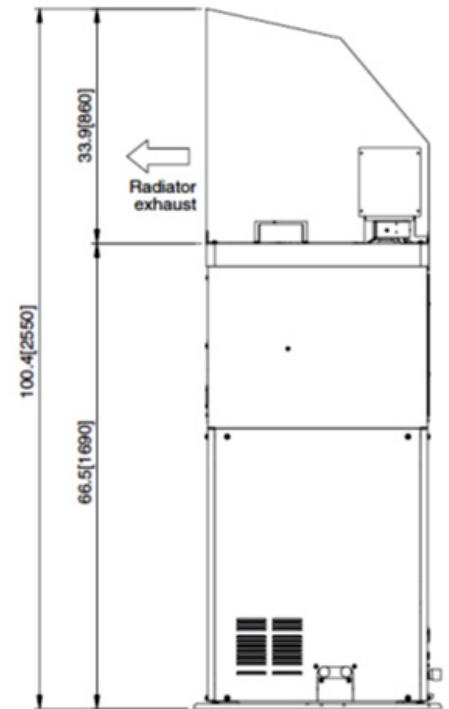
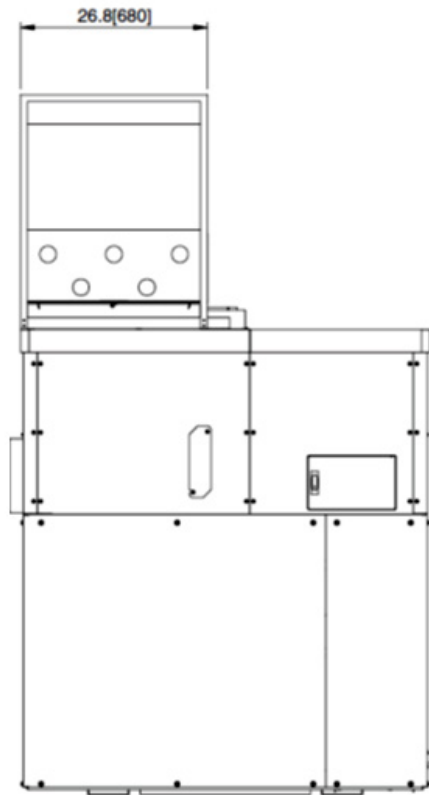


FKA10B AIR DIRECTION CHANGE DUCT

Model	FKA10B
Model Description	Air Direction Change Duct
Applicable CP Models	CP10WN
Dimensions	26.8 x 33.5 x 31.9 inches (680 x 850 x 810 mm)
Weight	44 lb (20 kg)
Materials	SUS304 (1 mm thick)
Supplied Parts	6 Tapping Screws 4 Machine Screws 26 Rivets

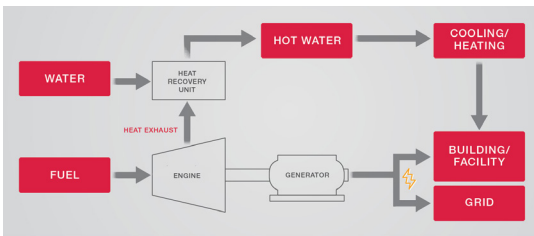


Dimensional Drawings:
Units: Inches [mm]



The Air Direction Change Duct is used to change the heat flow from the radiator in order to prevent a short circuit or other effects. In the CP10WN, it also protects the fan from damage such as snow.

CHP Basic Flow



Notes:

On-site assembly.

The attached bolts and rivets must be used to assemble the equipment.

NOTE: Due to YANMAR's ongoing commitment to quality, specifications, ratings and dimensions subject to change without notice. Improper installation, adjustment, alteration, service or maintenance can cause property damage or personal injury. Installation and service must be in accordance with current specifications, ratings and dimensions and be performed by a qualified installer and servicing agency.