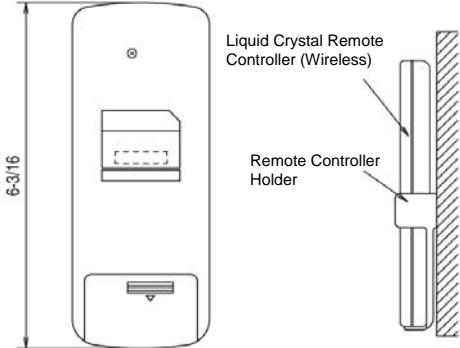
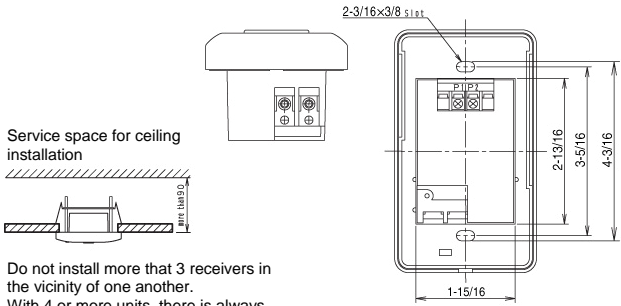
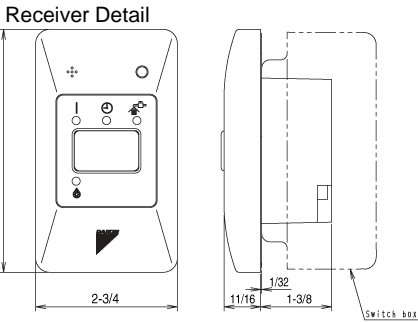
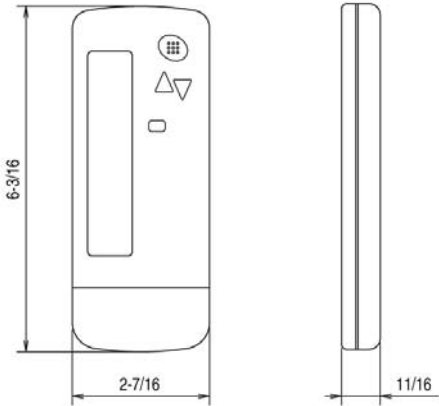


Job Name:	Location:
Purchaser:	
Engineer:	
Submitted To:	For: <input type="checkbox"/> Reference <input type="checkbox"/> Approval <input type="checkbox"/> Construction
Submitted By:	Date:
Unit Designation: Schedule #:	Model No.:

For use with the following Daikin VRV Models: FXDQ; FXMQ; FXSQ; FXLQ; FXNQ; FXOQ

FEATURES / BENEFITS	
	<ul style="list-style-type: none"> <li>1 group/maximum of 16 units controllable.</li> <li>Simple, compact and easy-to-operate unit.</li> </ul>

<b>OPERATION</b>	Start/Stop
	Operation Mode
	Temperature Setting
	60°F – 90°F Set Point Range
	Fan Speed
	Airflow Direction
<b>MONITORING</b>	Status
	Malfunction Flashing
	Malfunction Content
	Operation Mode
	Temperature Setting
	Fan Speed
<b>SCHEDULING</b>	Auto ON/OFF Timer
	<b>CONTROL MANAGEMENT</b>



**Daikin AC (Americas), Inc. ♦ 1645 Wallace Drive – Suite 110 ♦ Carrollton, TX 75006**