

## 6. Heater kit : HKC35D

### 1) Purpose

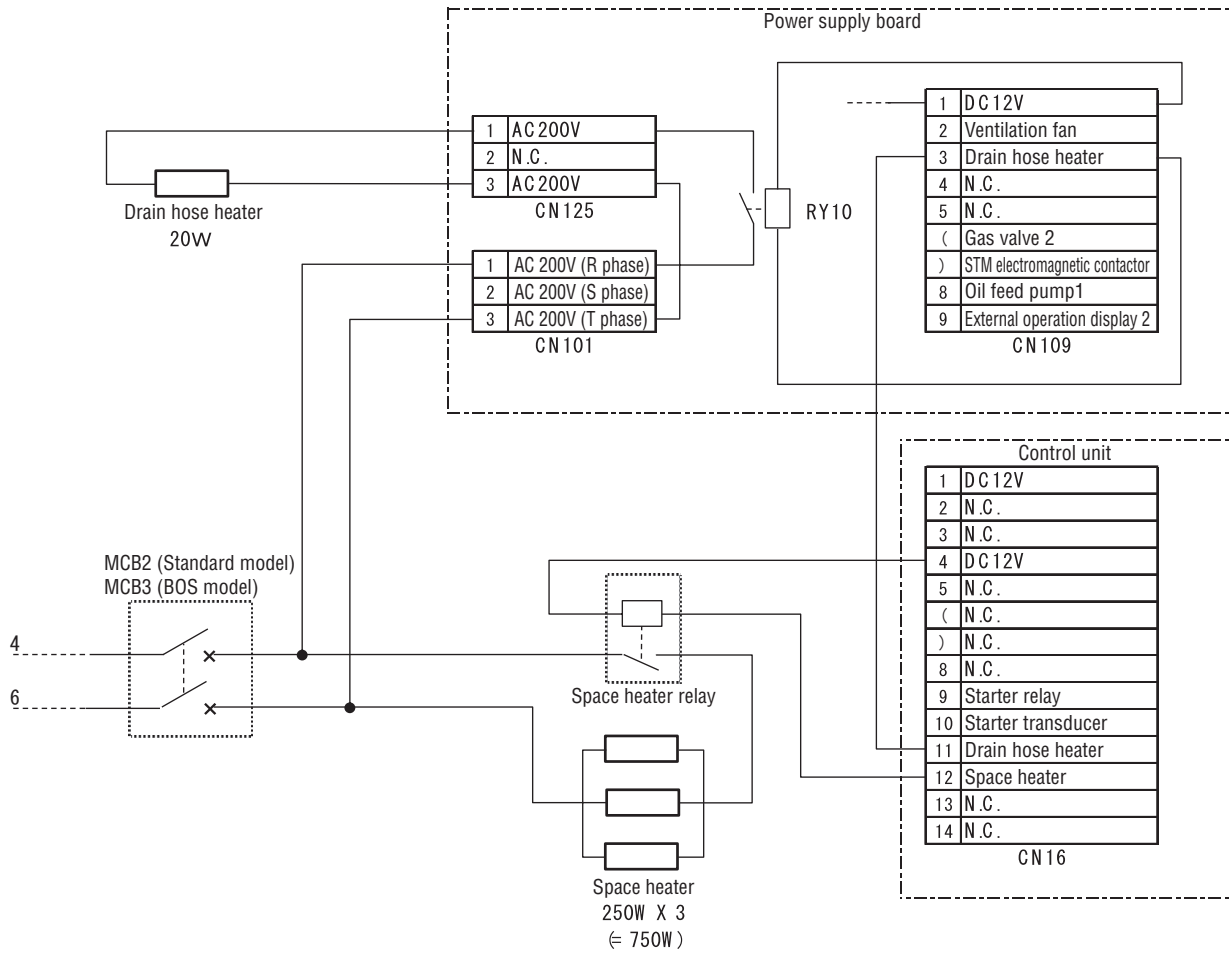
The heater kit warms the inside of the CHP package, and prevents the cooling water from freezing to allow for smooth start-up.

If the ambient temperature of the CHP installation location is less than 23°F (-5°C), the heater kit is required. However, the limited ambient temperature with the heater kit is 5°F (-15°C). Therefore, if the ambient temperature is less than 5°F (-15°C), you need to consider a different installation location.

### 2) Specification

Model	HKC35D
Minimum ambient temperature	5°F (-15°C)
Space heater	250W × 3 (Under the generator)
Drain hose heater	20W × 1
Accessories	Relay: 1 set
	M4 screw: 2 set
	M6 screw: 5 set
	Manual: 1 set

### 3) Circuit diagram



### 4) Controls

The heater kit is controlled by the outside temperature and the engine water temperature as shown in the below chart.

