



Submittal Data Sheet

Branch Selector Box, Flex-Series
BSF4Q54TVJ



DESCRIPTION

Engineered to be compact and provide flexibility in design, installation, maintenance, and service. Packed with Daikin technology the new Flex series branch selector boxes fit in tight ceiling spaces. The versatile piping configurations, the movable E-box make for ease in installation, and the ease of maintenance and service makes the Flex series an ideal choice for commercial buildings.

FEATURES and BENEFITS

- Engineered for flexibility in design with left, right and pass through piping configuration
- Ideal for tight spaces with 9-1/2" height and no service clearance requirement on top
- Series connectible up to 12 ports with up to 230 MBH downstream capacity
- Low ambient technical cooling capability down to -4F°
- Pass through configuration allows reduction in required REFNETs
- Ease of maintenance with access to EEV heads from side access panels
- Ability to mix and match standard and flex series branch selector units
- Same piping flexibility as standard series branch selector units
- Compatible with M, P and T series indoor units and all T series 3 phase VRV Heat Recovery Systems
- Ease of service space design with flexible E-box* placement (4 port series)
- Movable control box with 3 side positions (rear, left and right side)
- Power cable and transmission wirings can be taken out from the front of control box

SPECIFICATIONS				
Model No:			BSF4Q54TVJ	
Type			Multi-Port	
Power Supply			Single phase 208/230V 60Hz	
MCA / MOP			0.4 / 15	
Number of Branches			4	
Max Capacity Index of Connectable Indoor Units Per BS Box / Connected in series			144 / 144	
Maximum connection index per port			54	
Max Capacity Index of Total Connectable Indoor Units Under BS Units Connected in Series			230	
Piping connections	Indoor Unit	Liquid	in.	3/8 (1/4) Brazing
		Gas	in.	5/8 (1/2) Brazing
	Outdoor unit	Liquid	in.	5/8 Brazing
		Suction Gas	in.	1-1/8 Brazing
		HP/LP Gas	in.	1-1/8 Brazing
Weight			lbs. (kg)	49 (22)
Dimensions		Height	in. (mm)	9 -1/2 (241)
		Width	in. (mm)	13-3/4 (348)
		Depth	in. (mm)	23-3/4 (603)
Sound Level	Operating Sound / Max Sound		dB(A)	37 / 47
Refrigerant			R410A	
Optional Accessory		Pipe Reducer Kit	Part Number	KHFP26A200T

Daikin North America LLC, 19001 Kermier Rd, Waller TX, 77484
www.daikinac.com www.daikincomfort.com

(Daikin's products are subject to continuous improvements. Daikin reserves the right to modify product design, specifications and information in this data sheet without notice and without incurring any obligations).



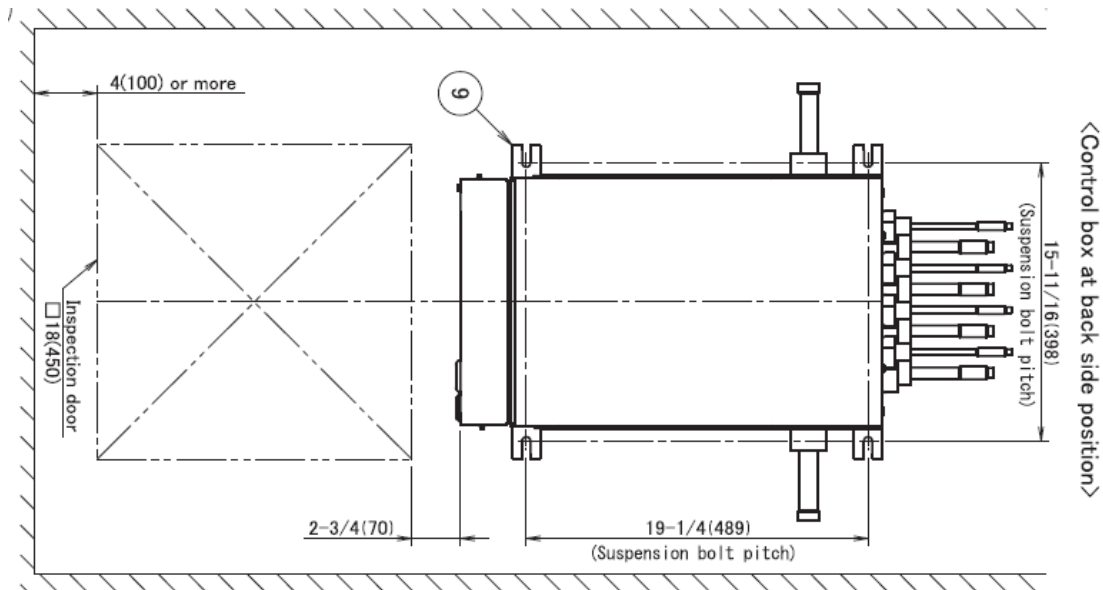
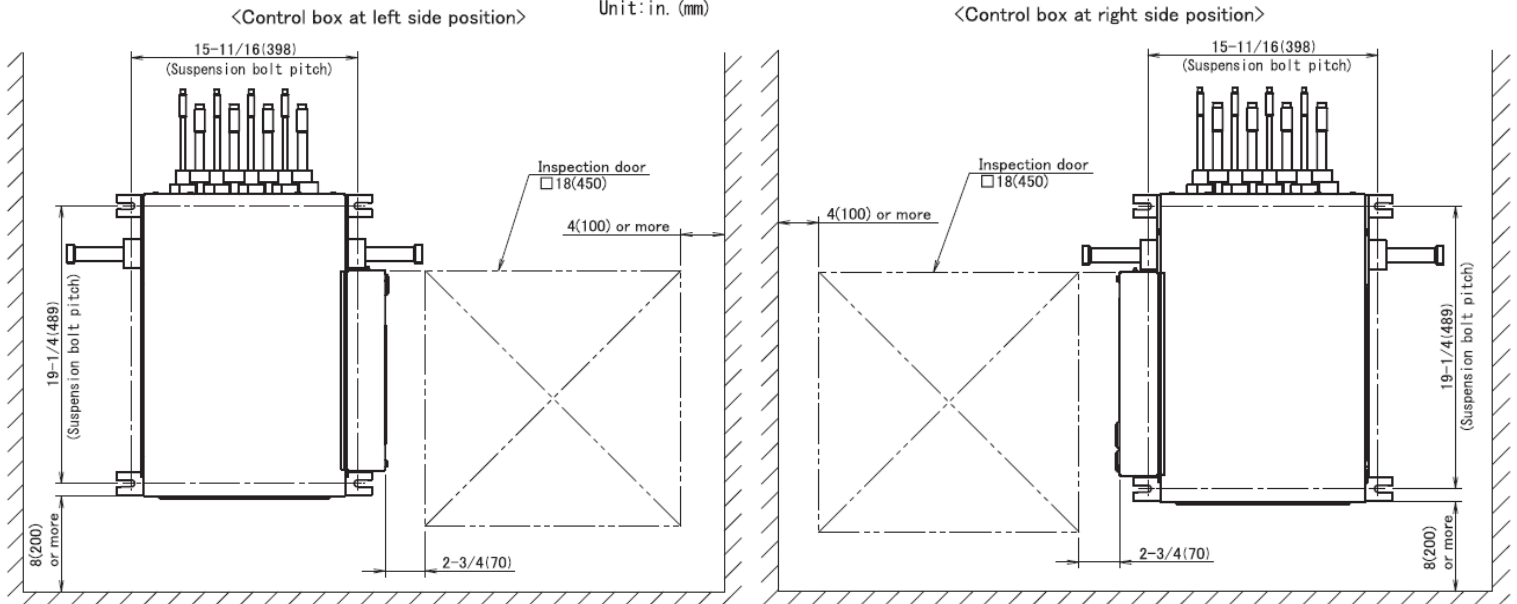
Submittal Data Sheet

Branch Selector Box, Flex-Series

BSF4Q54TVJ

DIMENSIONAL DRAWINGS

Unit: in. (mm)



Daikin North America LLC, 19001 Kermier Rd, Waller TX, 77484
www.daikinac.com www.daikincomfort.com

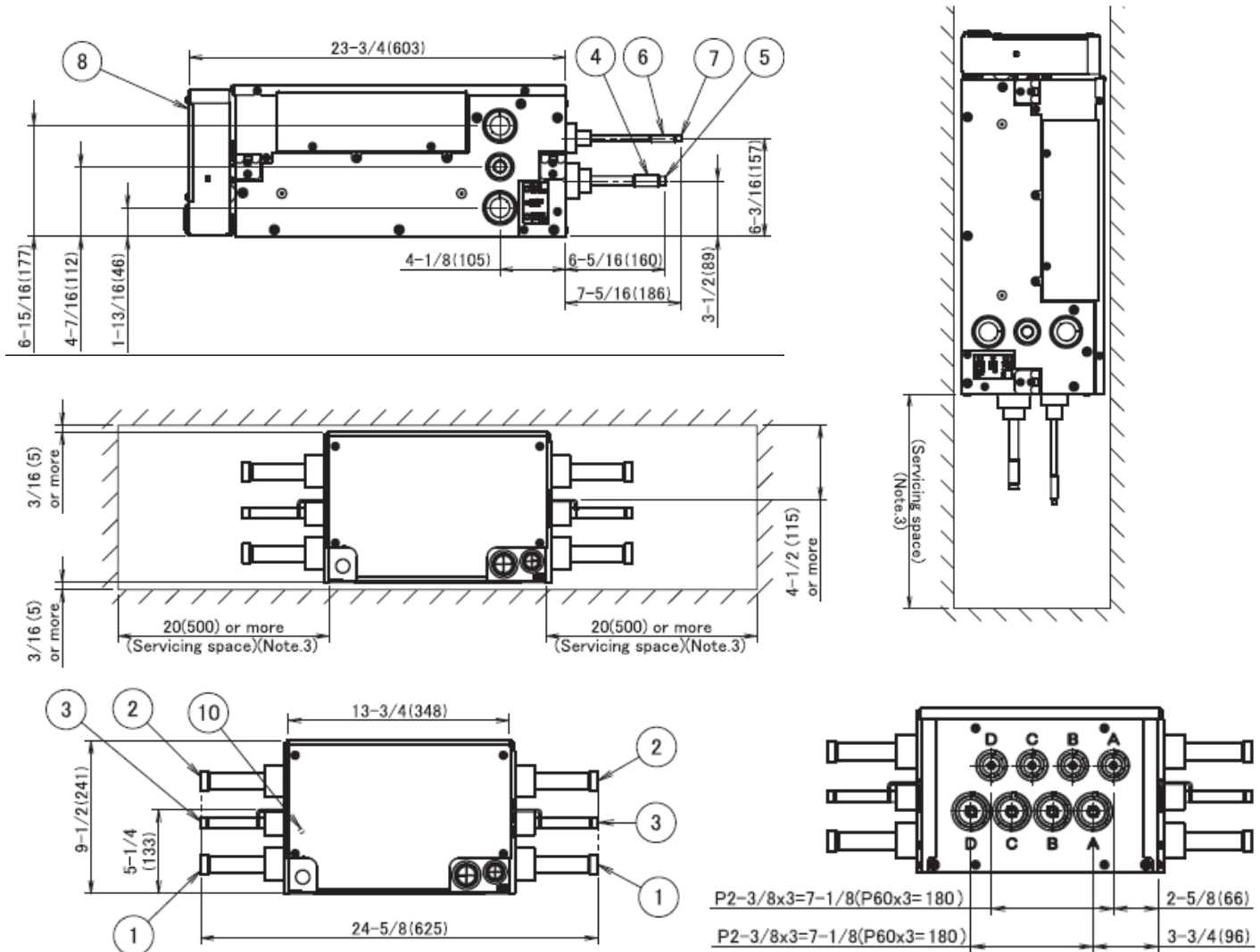
(Daikin's products are subject to continuous improvements. Daikin reserves the right to modify product design, specifications and information in this data sheet without notice and without incurring any obligations).



Submittal Data Sheet

Branch Selector Box, Flex-Series

BSF4Q54TVJ



7	Indoor unit liquid pipe connection port (Note. 4)	φ1/4(φ6.4) Brazing connection			
6	Indoor unit liquid pipe connection port (Note. 4)	φ3/8(φ9.5) Brazing connection			
5	Indoor unit gas pipe connection port (Note. 4)	φ1/2(φ12.7) Brazing connection			
4	Indoor unit gas pipe connection port (Note. 4)	φ5/8(φ15.9) Brazing connection			
3	Outdoor unit liquid pipe connection port (Note. 5, 6)	φ5/8(φ15.9) Brazing connection	1	Ground terminal	W4
2	Outdoor unit HP/LP gas pipe connection port (Note. 5, 6)	φ1-1/8(φ28.6) Brazing connection	9	Hanger brackets	W8~W10
1	Outdoor unit suction gas pipe connection port (Note. 5, 6)	φ1-1/8(φ28.6) Brazing connection	B	Control box (Note. 1)	
No.	Part name	Remark	No.	Part name	Remark

Daikin North America LLC, 19001 Kermier Rd, Waller TX, 77484
www.daikinac.com www.daikincomfort.com

(Daikin's products are subject to continuous improvements. Daikin reserves the right to modify product design, specifications and information in this data sheet without notice and without incurring any obligations).