



Submittal Data Sheet

Decoration Panel
BYEP63AW1



DESCRIPTION

The decoration panel attaches to the bottom of the cassette body and is the visible component of the FXEQ One Way Blow Cassettes.

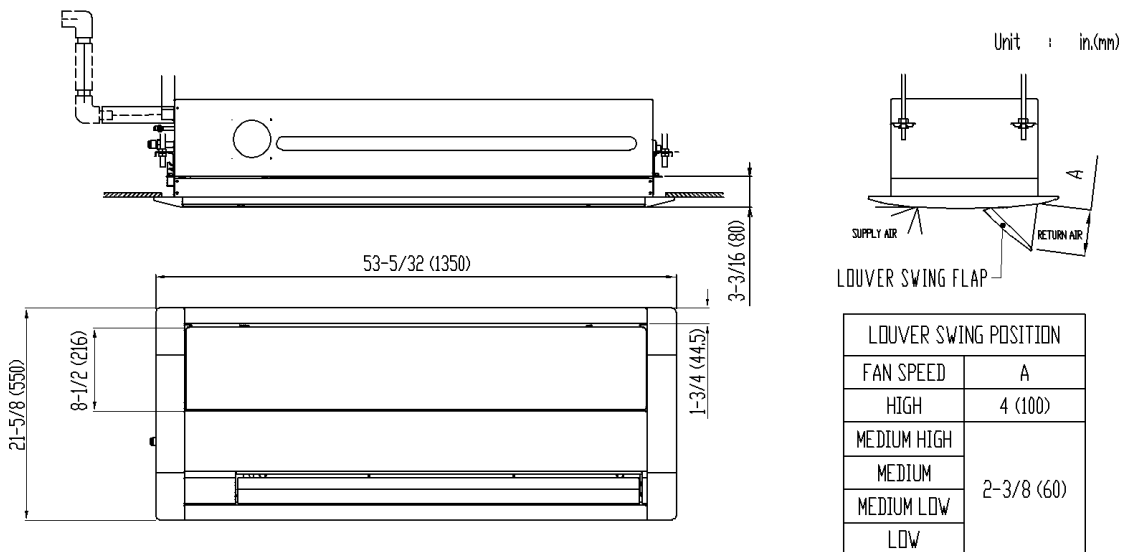
FEATURES

- Innovative discharge air louver design increases overall heating effect.
- The innovative smooth finish, mold resistant resin decoration panel matches standard ceiling and minimizes dust build-up.

SPECIFICATIONS

Model No.:	BYEP63AW1
Components Included:	Decoration panel, filter, mounting screws, support clamp, insulation material and installation manual
Unit Compatibility:	FXEQ18PVJU, FXEQ24PVJU
Estimated Unit Weight:	22 lbs (10 kgs)
Dimensions (W x H x D):	21-5/8" x 3-3/16" x 53-5/32" (550 mm x 80 mm x 1350 mm)
Material / Finish:	Plastic / Fresh white (6.5Y 9.5/0.5)
Airflow Configurations:	One-way
Filter:	Washable filter(s) included as standard; P/N 6017879 (Quantity 2 - Resin net/mold resistant)

DIMENSIONAL DRAWINGS



Daikin North America LLC, 5151 San Felipe, Suite 500, Houston TX, 77056
www.daikinac.com www.daikincomfort.com

(Daikin's products are subject to continuous improvements. Daikin reserves the right to modify product design, specifications and information in this data sheet without notice and without incurring any obligations).