



Submittal Data Sheet

Project Name: _____
 Location: _____
 Engineer: _____
 Submitted to: _____
 Submitted by: _____
 Reference: _____

Approval: _____
 Date: _____
 Construction: _____
 Unit #: _____
 Drawing #: _____

Performance

MERV 13 Kit Model No.: DACA-MQ48F-13-1K
 Initial Pressure Drop (IPD in H2O): See Table 1.0
 Final Pressure Drop (FPD in H2O): .390

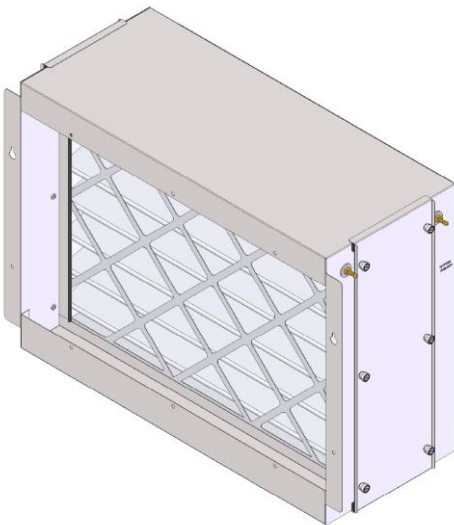
Table 1.0 Performance Data

Model No.	Airflow CFM	Filter IPD	Filter FPD
Daikin			
FXMQ48MFVJU	636	.060	.390

Details

Air Filter Dimensions (HxWxD nominal): 18.00" x 24.00" x 4.00"
 Air Filter Dimensions (HxWxD exact): 17.38" x 23.38" x 3.75"
 Cabinet Dimensions (HxWxD): 17.94" x 26.06" x 11.00"
 Net Weight (lbs):
 Air Filter, Cabinet and Packaging: 21.53
 Air Filter (1 required): 1.85
 Cabinet: 16.08
 Replacement Filter(s):
 Part No. (each): DACA-MQM-13-1
 Part No. (box of 6): DACA-MQM-13-1B
 Description: Air Filter, AmAir 1300 Nominal Size MERV 13

Appearance – MERV 13 Air Filter and Cabinet Kit



Submittal Data Sheet

Project Name: _____
 Location: _____
 Engineer: _____
 Submitted to: _____
 Submitted by: _____
 Reference: _____

Approval: _____
 Date: _____
 Construction: _____
 Unit #: _____
 Drawing #: _____

Dimensional Drawing – DACA-MQ48F-13-1K

