



Submittal Data Sheet

Performance

MERV 13 Kit Model No.:	DACA-MQ96M-13-1K
Initial Pressure Drop (IPD in H2O):	See Table 1.0
Final Pressure Drop (FPD in H2O):	.390

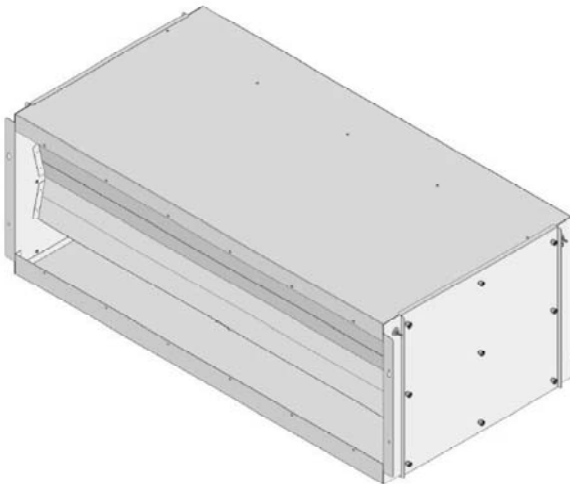
Details

Air Filter Dimensions (HxWxD nominal):	18.00" x 24.00" x 4.00"
Air Filter Dimensions (HxWxD exact):	17.38" x 23.38" x 3.75"
Cabinet Dimensions (HxWxD):	17.94" x 49.43" x 25.00"
Net Weight (lbs):	
Air Filter, Cabinet and Packaging:	72.45
Air Filters (2 required):	7.40
Cabinet:	56.78
Replacement Filter(s):	
Part No. (each):	DACA-MQM-13-1
Part No. (box of 6):	DACA-MQM-13-1B
Description:	Air Filter, AmAir 1300 Nominal Size MERV 13

Table 1.0 Performance Data

<u>Model No.</u>	<u>Airflow CFM</u>	<u>Filter IPD</u>	<u>Filter FPD</u>
Daikin			
FXMQ72MVJU	2047	.120	.390
FXMQ96MVJU	2542	.180	.390

Appearance – MERV 13 Air Filter and Cabinet Kit



Dimensional Drawing – DACA-MQ96M-13-1K

