



Submittal Data Sheet

DMS502B71 – BACnet Interface

Model Compatibility:

For use with the following VRV indoor unit models: FXAQ, FXDQ, FXEQ, FXFQ, FXHQ, FXLQ, FXMQ, FXMQ_MF, FXNQ, FXTQ, FXUQ, FXZQ, VAM

For use with the following Daikin SkyAir indoor unit models: FAQ, FBQ, FCQ, FHQ, FTQ

Specifications:

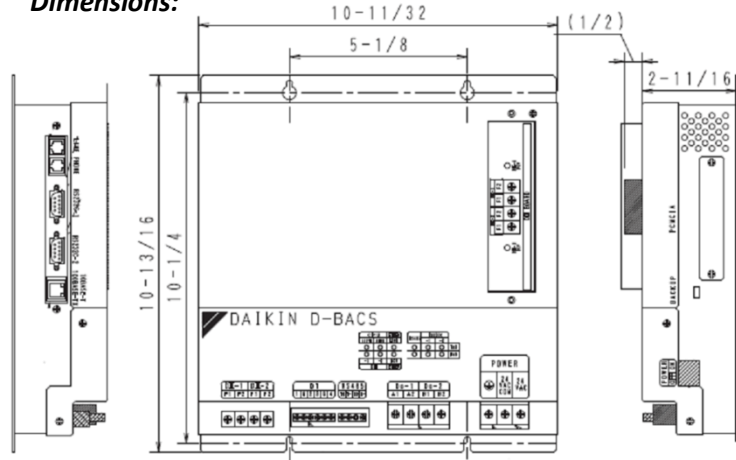
Model	DSM502B71
Description	BACnet Interface
Maximum Indoor Units	256 (512 with DAM411B51)
Maximum Outdoor Units	20 (40 with DAM411B51)
DIII-Net Communication Wire	18AWG-2, No polarity Stranded, Non-shielded
BACnet IP Communication Wiring	10Base-T/100Base-TX
Communication Protocol	Daikin Proprietary DIII-Net protocol / BACnet IP
Power	24VAC (field supplied) (40VA maximum)
Comfort Setpoint Range	60 to 90 °F (16 to 32 °C)
Setpoint	Single Setpoint
Temperature Units	Degrees Fahrenheit or Celsius
Operating Temp Range	14 to 122 °F (-10 to 50 °C)
Operating Humidity Range	90% or less (RH) (w/o condensation)
Dimensions (WxHxD)	10.81 x 10.34 x 2.69 inch (274.57 x 262.13 x 68.33 mm)
Weight (Mass)	6.2 lbs. (2.8 kg)
Options	DAM411B51 Adds (2) DIII-Net ports
Certification	FCC Part 15 Subpart B Class A

Product Image:

- 2 DIII-Net ports standard available
- 2 additional ports available – requires DAM411B51

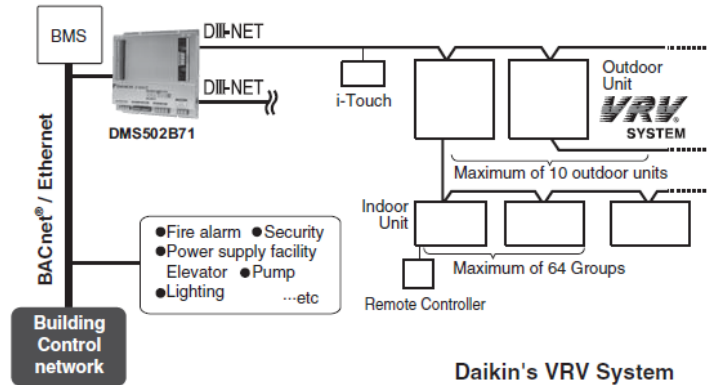


Dimensions:



Configuration and Engineering for each project is necessary

Network Diagram:



Daikin North America LLC, 5151 San Felipe Suite 500, Houston, TX 77056

Daikin North America LLC Controls Engineering Department Generated Submittal Data

www.daikinac.com

(Daikin's products are subject to continuous improvements. Daikin reserves the right to modify product design, specifications and information in this data sheet without notice and without incurring any obligations)