



Submittal Data Sheet

0.75-Ton Wall Mounted Unit

FXAQ09PVJU

PERFORMANCE

Indoor Unit Model No.	FXAQ09PVJU	Indoor Unit Name:	0.75-Ton Wall Mounted Unit
Type:	Wall Mounted	Rated Cooling Conditions:	Indoor (°F DB/WB): 80 / 67 Ambient (°F DB/WB): 95 / 75
Rated Cooling Capacity (Btu/hr):	9,500	Rated Heating Conditions:	Indoor (°F DB/WB): 70 / 60 Ambient (°F DB/WB): 47 / 43
Sensible Capacity (Btu/hr):	7,300	Rated Piping Length(ft):	
Cooling Input Power (kW):	0.030	Rated Height Separation (ft):	
Rated Heating Capacity (Btu/hr):	10,500		
Heating Input Power (kW):	0.03		

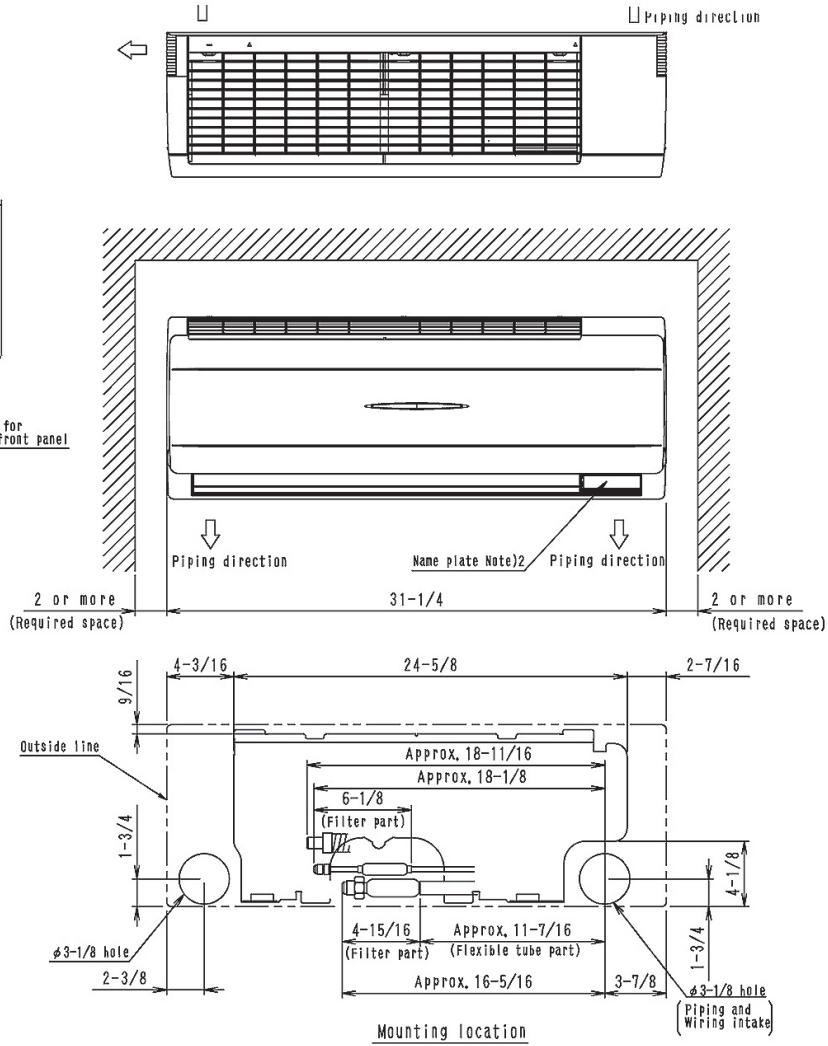
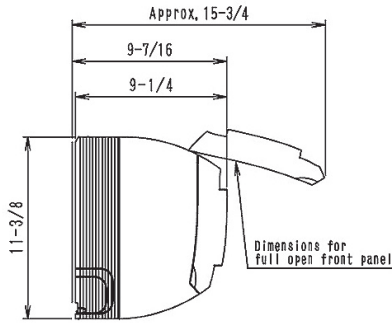
INDOOR UNIT DETAILS

Power Supply (V/Hz/Ph):	208-230 / 60 / 1	Airflow Rate (H/L) (CFM):	280/175
Power Supply Connections:	L1, L2, Ground	Moisture Removal (Gal/hr):	
Min. Circuit Amps MCA (A):	0.4	Gas Pipe Connection (inch):	1/2
Max Overcurrent Protection (MOP) (A):	15	Liquid Pipe Connection (inch):	1/4
Dimensions (HxWxD) (in):	11-3/8 x 31-1/4 x 9-1/4	Condensate Connection (inch):	11/16
Net Weight (lb):	26	Sound Pressure (H/L) (dBA):	37/31
Ext. Static Pressure (Rated/Max) (inWg):	/	Sound Power Level (dBA):	



Submittal Data Sheet
 0.75-Ton Wall Mounted Unit
 FXAQ09PVJU

DIMENSIONAL DRAWING



FXAQ07/09/12PVJU
 Unit (in.)

