



Submittal Data Sheet

2.0-Ton Floor Standing

FXLQ24MVJU9

PERFORMANCE

Indoor Unit Model No.	FXLQ24MVJU9	Indoor Unit Name:	2.0-Ton Floor Standing
Type:	Floor Standing	Rated Cooling Conditions:	Indoor (°F DB/WB): 80 / 67 Ambient (°F DB/WB): 95 / 75
Rated Cooling Capacity (Btu/hr):	24,000	Rated Heating Conditions:	Indoor (°F DB/WB): 70 / 60 Ambient (°F DB/WB): 47 / 43
Sensible Capacity (Btu/hr):	15,900	Rated Piping Length(ft):	
Cooling Input Power (kW):	0.110	Rated Height Separation (ft):	
Rated Heating Capacity (Btu/hr):	27,000		
Heating Input Power (kW):	0.11		

INDOOR UNIT DETAILS

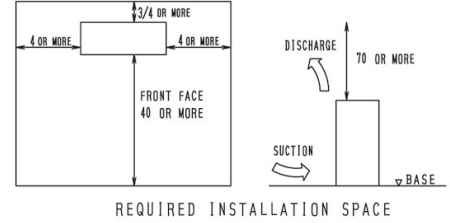
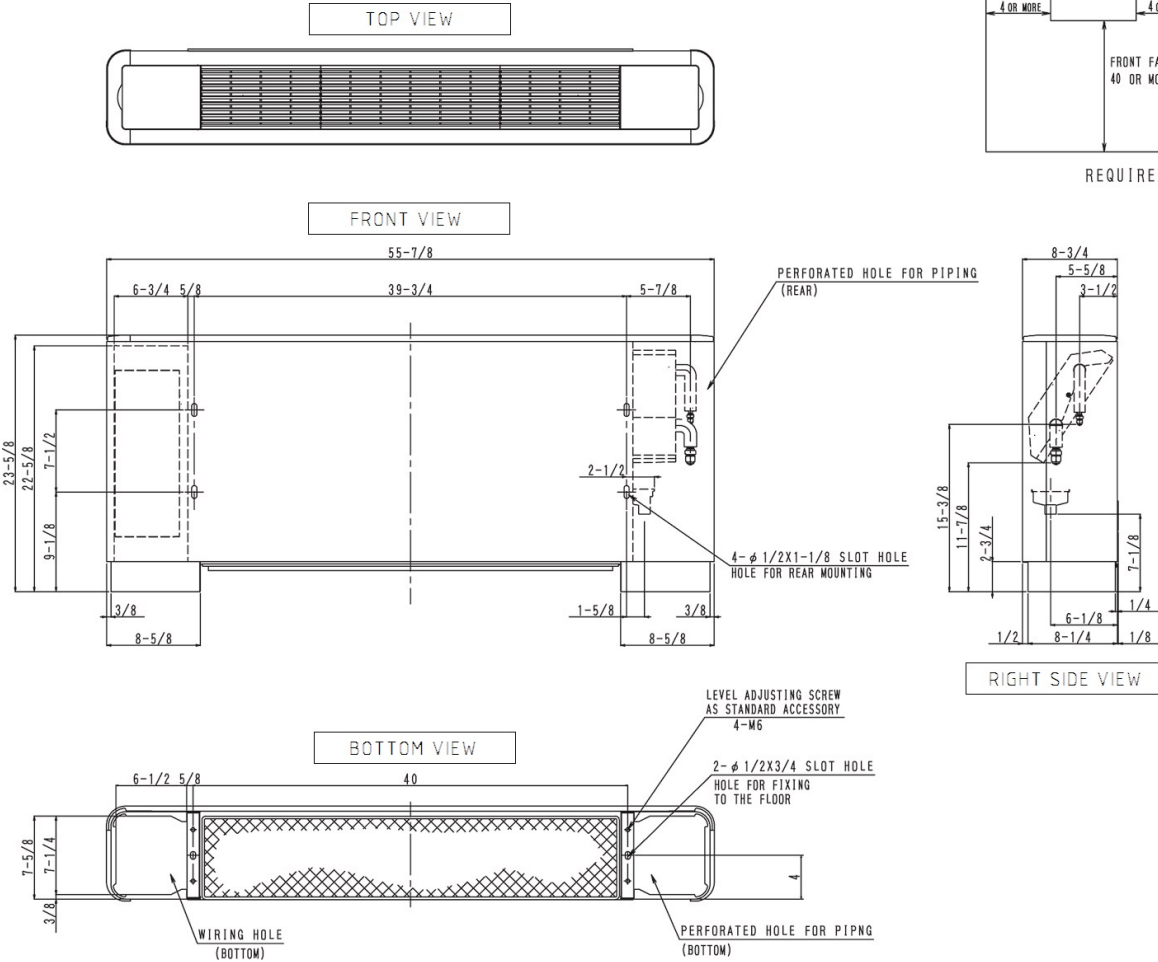
Power Supply (V/Hz/Ph):	208-230 / 60 / 1	Airflow Rate (H/L) (CFM):	560/420
Power Supply Connections:	L1, L2, Ground	Moisture Removal (Gal/hr):	
Min. Circuit Amps MCA (A):	0.6	Gas Pipe Connection (inch):	5/8
Max Overcurrent Protection (MOP) (A):	15	Liquid Pipe Connection (inch):	3/8
Dimensions (HxWxD) (in):	23-5/8 x 55-7/8 x 8-3/4	Condensate Connection (inch):	25/32
Net Weight (lb):	80	Sound Pressure (H/L) (dBA):	41/36
Ext. Static Pressure (Rated/Max) (inWg):	/	Sound Power Level (dBA):	

Submittal Data Sheet

2.0-Ton Floor Standing
FXLQ24MVJU9

DIMENSIONAL DRAWING

FXLQ18/24MVJU9
Unit (in.)



Piping size (Field supply)

Indoor unit	Gas side	Liquid side
FXLQ18MVJU9	φ 1/2	φ 1/4
FXLQ24MVJU9	φ 5/8	φ 3/8