



Submittal Data Sheet

0.75-Ton DC-Ducted Concealed Ceiling Unit

FXMQ09PBVJU

PERFORMANCE

Indoor Unit Model No.	FXMQ09PBVJU	Indoor Unit Name:	0.75-Ton DC-Ducted Concealed Ceiling Unit
Type:	Ducted	Rated Cooling Conditions:	Indoor (°F DB/WB): 80 / 67 Ambient (°F DB/WB): 95 / 75
Rated Cooling Capacity (Btu/hr):	9,500	Rated Heating Conditions:	Indoor (°F DB/WB): 70 / 60 Ambient (°F DB/WB): 47 / 43
Sensible Capacity (Btu/hr):	7,800	Rated Piping Length(ft):	
Cooling Input Power (kW):	0.080	Rated Height Separation (ft):	
Rated Heating Capacity (Btu/hr):	10,500		
Heating Input Power (kW):	0.07		

INDOOR UNIT DETAILS

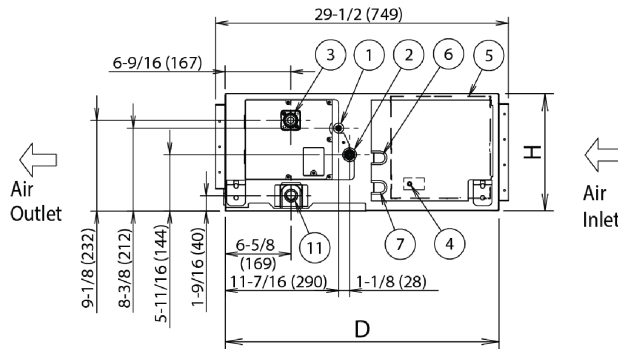
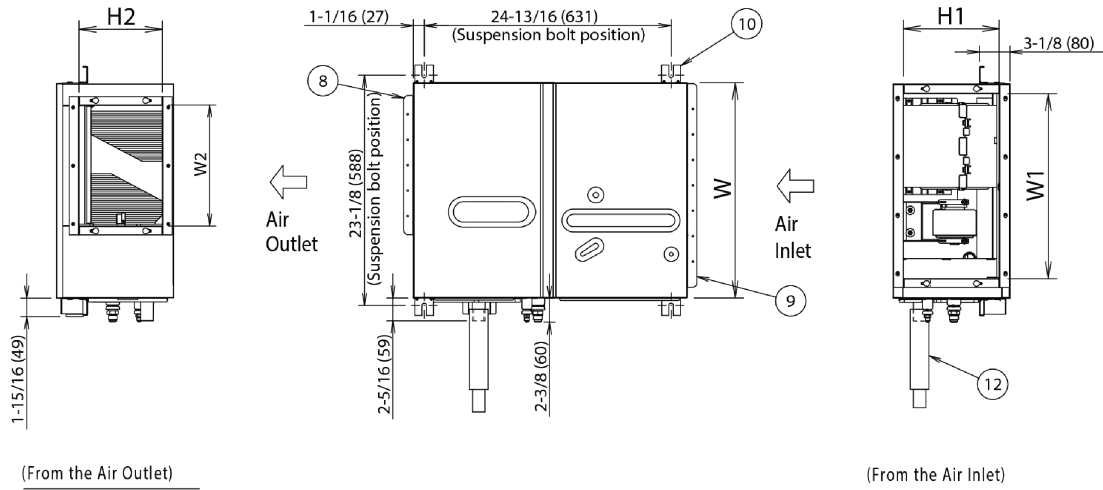
Power Supply (V/Hz/Ph):	208-230 / 60 / 1	Airflow Rate (HH/H/L) (CFM):	317/264/229
Power Supply Connections:	L1, L2, Ground	Moisture Removal (Gal/hr):	
Min. Circuit Amps MCA (A):	0.6	Gas Pipe Connection (inch):	1/2
Max Overcurrent Protection (MOP) (A):	15	Liquid Pipe Connection (inch):	1/4
Dimensions (HxWxD) (in):	11-13/16 x 21-5/8 x 27-9/16	Condensate Connection (inch):	1-1/4
Net Weight (lb):	55	Sound Pressure (H/L) (dBA):	31/29
Ext. Static Pressure (Rated/Max) (inWg):	0.2" / 0.4"	Sound Power Level (dBA):	56

Submittal Data Sheet

0.75-Ton DC-Ducted Concealed Ceiling Unit

FXMQ09PBVJU

DIMENSIONAL DRAWING



H	11-13/16 (300)
W	21-5/8 (550)
D	27-9/16 (700)
Air Inlet	H1 9-3/4 (247)
	W1 18-11/16 (475)
Air Outlet	H2 8-7/16 (215)
	W2 12-3/16 (310)

2	Drain hose(Accessory)	O.D.φ1-1/4(φ32)(Outlet)
1	Socket(For maintenance)	VP25(O.D.φ1-1/4(φ32),I.D.φ1(φ25))
10	Hanger	For M10
9	Air Inlet flange	
8	Air Outlet flange	
7	Power supply connection	
6	Transmission wiring connection	
5	Control box(Inside)	
4	Ground terminal(Terminal in Control box)	M4
3	Drain pipe connection	VP25(O.D.φ1-1/4(φ32),I.D.φ1(φ25))
2	Gas pipe connection	φ1/2(φ12.7) flare connection
1	Liquid pipe connection	φ1/4(φ6.4) flare connection
ITEM	PART NAME	REMARK

Note: For additional dimensional data and clearance information, refer to Engineering Data