

# IV. Options

## 1. Options for Outdoor Units

### 1.5 Exhaust Extension Adapter

#### 1.5 Exhaust extension adapter

##### 1) HA850H

##### (1) Applications

If it is necessary to extend the exhaust due to the installation conditions, use the adapter to connect the outlet of the outdoor unit to the exhaust flue for extension.

##### <Use conditions>

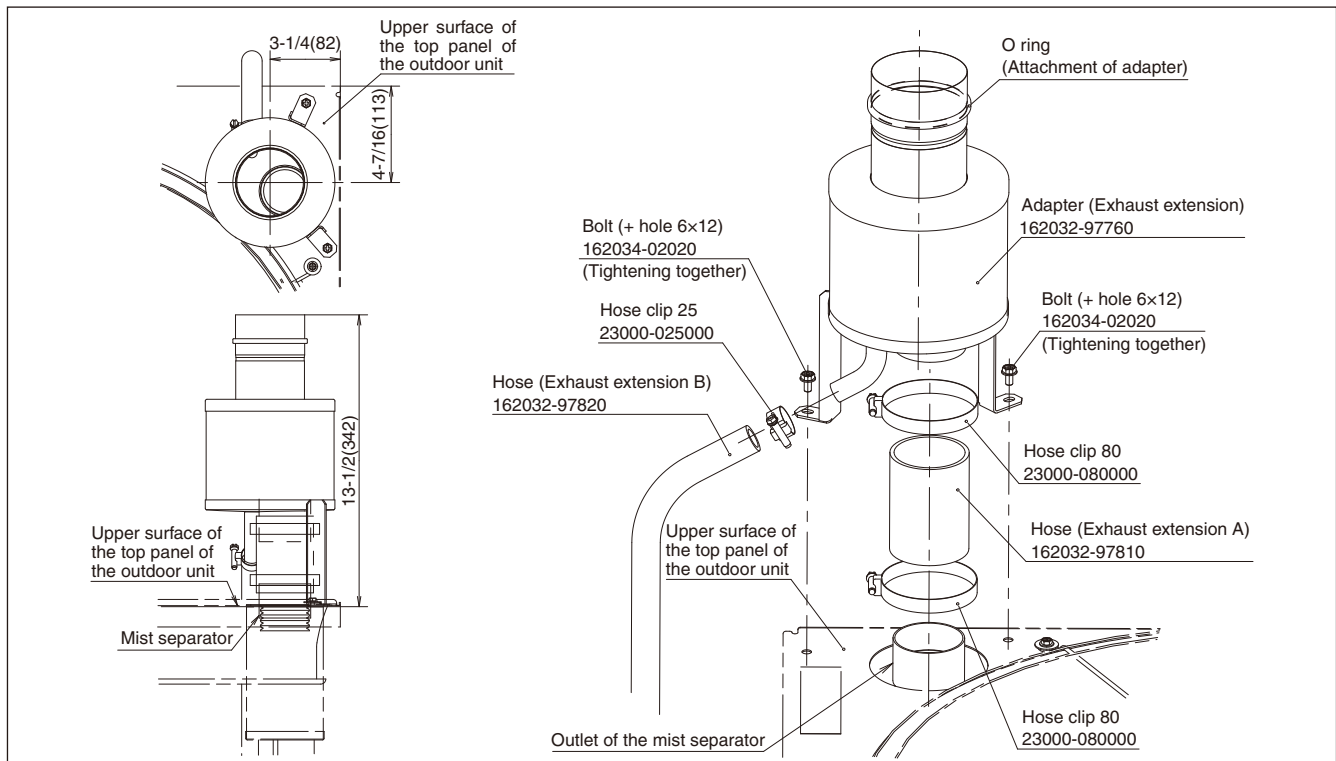
- Do not combine the exhaust pipes.
- Total extension of exhaust: Maximum of 32.8 ft (10 m) or less  
Number of bends: Maximum of 4 or less  
(Total extension of the exhaust must be the maximum of 50 cm or less when a vibration-proof frame is used.)
- Lay the pipes with an upward inclination (3/100 or more).
- Do not use an Air direction adjuster.

##### (2) Component

No.	Name of part	Pcs.
1	Adapter (Exhaust extension)	1
2	Hose (Exhaust extension A)	1
3	Hose (Exhaust extension B)	1
4	EHose clip 25	1
5	Hose clip 80	2
6	Exhaust fitting port (Adapter)	1
7	Exhaust top (Exhaust extension)	1

- Notes
1. As the exhaust flue for extension is not supplied, obtain it locally.
  2. If the exhaust is extended, the amount of drainage from exhaust air increases. Install an outside drain filter DFB19E.

##### (5) Mounting procedure drawing



##### (3) Applicable models

All model

##### (4) Assembly dimensions

