



Submittal Data Sheet

KRP4A71/ KRP4A72/ KRP4A73/ KRP4A74 –
Group Control Adapter

Project Name: _____

Location: _____

Engineer: _____

Submitted to: _____

Submitted by: _____

Reference: _____

Approval: _____

Date: _____

Construction: _____

Unit #: _____

Drawing #: _____

MODEL COMPATIBILITY:

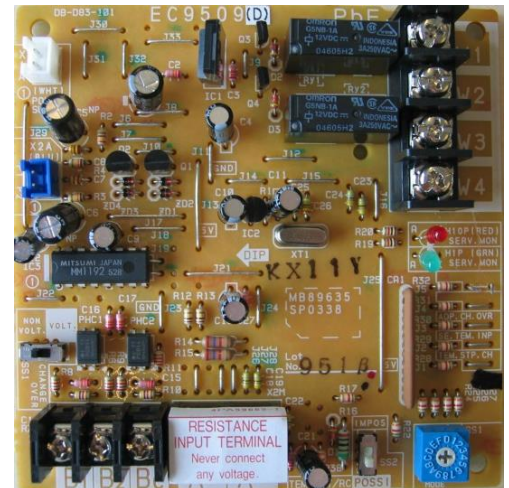
Part Number	Compatible Indoor Unit Models
KRP4A71	FXAQ, FXLQ, FXNQ, FXMQ, FXSQ, FAQ, FBQ
KRP4A72	FXHQ, FHQ
KRP4A73	FCQ_M
KRP4A74	FCQ_TA, FXDQ, FXEQ, FXFQ, FXTQ*, FXUQ, FXZQ, FTQ*, FFQ, CXTQ

*FXTQ_P and FTQ require field-supplied 16VDC external power supply (16VDC, 100mA).

SPECIFICATIONS:

Model	KRP4A71/72/73/74
Description	Group Control Adapter
Maximum Connections	Up to 16 Indoor Units
Communication Wire (P1P2)	18AWG-2, No polarity Stranded, Non-shielded
Total Wiring Length (P1P2)	1,640 ft. (500 m)
B1 – BC, B2 – BC	Input only (non-voltage/voltage)
W1 – W2 (Operation Status)	10 mA to 3 A at 24 – 200 VAC or 24 VDC (Output)
W3 – W4 (Malfunction Status)	10 mA to 3 A at 24 – 200 VAC or 24 VDC (Output)
(A+) (A-) (Temperature Setpoint)	0 – 135 Ohm (Input)
Power	16VDC Supplied by Indoor Unit PCB or by External Power Supply
Dimensions (WXH)	3.94 x 3.94 inch (100 x 100 mm)
Weight (Mass)	0.18 lbs. (80 g)

PRODUCT IMAGE:



FEATURES:

- Applies to individual VRV indoor units to facilitate remote start/stop control and temperature setpoint for remote control groups and contact outputs for operation and malfunctions
- Low cost alternative to traditional energy management integration for small projects and simple control requirements
- Provides a simple contact closure input (configurable as momentary or constant contact) to remotely start and stop individual VRV indoor units and indoor units in a remote control group
- Provides normally open dry contract outputs for indication of indoor unit operation (On/Off) status and malfunction status (normally open contact will close when the indoor unit is in an alarm condition)

Daikin North America LLC, 5151 San Felipe, Suite 500, Houston TX, 77056

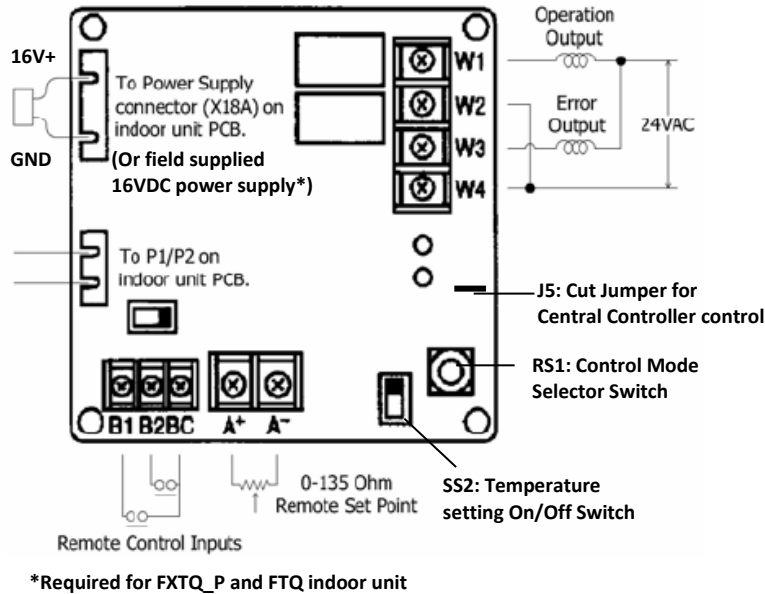
www.daikinac.com www.daikincity.com

(Daikin's products are subject to continuous improvements. Daikin reserves the right to modify product design, specifications and information in this data sheet without notice and without incurring any obligations)

Project Name:	Approval:
Location:	Date:
Engineer:	Construction:
Submitted to:	Unit #:
Submitted by:	Drawing #:
Reference:	

- Analog input provided for remote temperature setpoint adjustment (Celsius values only) with a 0 – 135 Ohm signal.

WIRING DIAGRAM:



FUNCTIONS:

- Control
 - On/Off and Force On/Off
 - The B1-BC and B2-BC inputs are configurable by RS1 settings.
 - Energy savings setting
 - Setpoint – Cool /Heat setpoint (single setpoint)
 - The temperature setpoint corresponds to resistance values in the range of 0 to 135 Ohms.

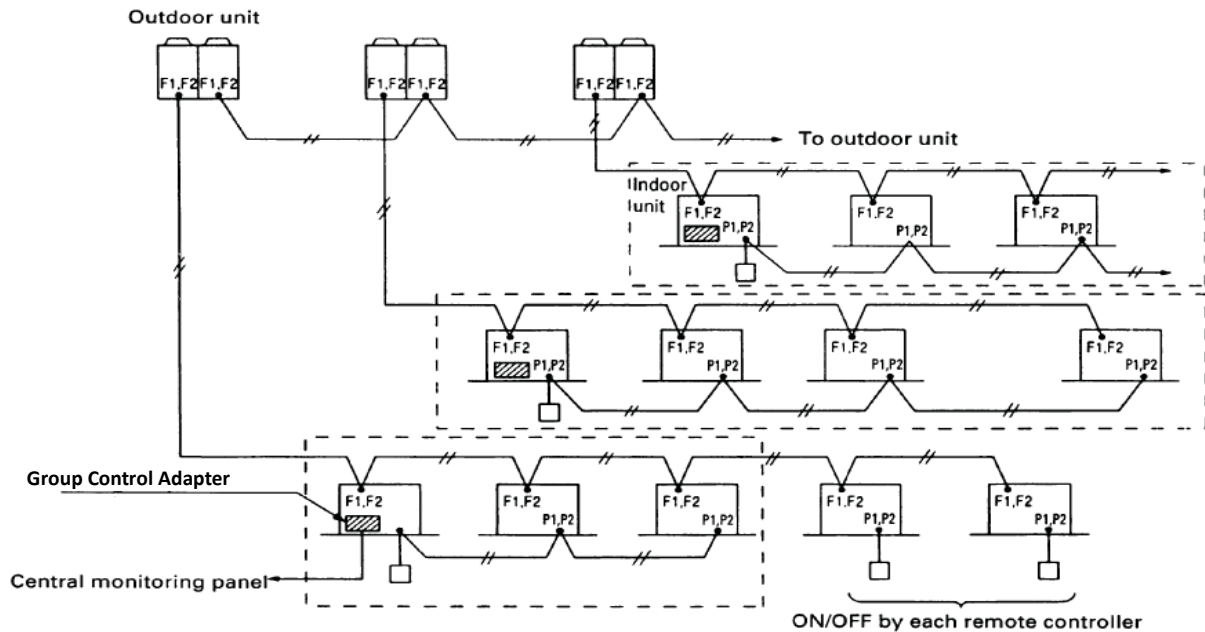
Setting temperature (°C)	16	17	18	19	20	21	22	23	24	25	26	27	28	29	30	31	32
Resistance (Ω)	0.0 3.4	5.0 11.6	13.8 20.0	22.4 28.4	31.0 36.4	39.4 44.8	48.2 52.8	56.6 61.2	65.2 69.4	73.8 77.8	82.4 85.8	91.0 94.0	99.4 102.2	108.6 110.4	117.2 119.2	125.8 127.4	134.2 140.0

- Monitoring
 - Operation status
 - Error status
- Compatibility with Remote Controller and Central Controllers
 - The adapter must be used together with a remote controller (BRC1E73 or BRC2A71) in the same group. RS1 (Control Mode Selector Switch) can be used to configure the operation between the adapter and the remote controller (see Group Controller Adapter Installation Manual for details).
 - In order to use the adapter with the iTM or iTC on the same DIII-Net network, jumper J5 must be cut.

Project Name:	Approval:
Location:	Date:
Engineer:	Construction:
Submitted to:	Unit #:
Submitted by:	Drawing #:
Reference:	

- If switch SS2 (Temp Setting ON/OFF Switch) is set to “IMPOSSIBLE” the setpoint set through remote controller and iTM/iTC is ignored.

SYSTEM DIAGRAM:



- Notes:
1. Items outlined with dash lines indicate the same control group
 2. The Group Control Adapter can simultaneously control a group of indoor units (up to 16) connected to the same remote controller (via P1P2). In other words, all the units connected to the same P1P2 daisy chain will be controlled the same.
 3. A field supplied external 16VDC power supply (16VDC,100mA) will be required when using the adapter with the FTQ or FXTQ_P. Installer must maintain VDC polarity as shown in the Wiring Diagram on Page 2.

DOCUMENTATION:

Documentation available on www.daikincity.com and/or www.daikinac.com:

- Submittal
- Installation Manual