



## Submittal Data Sheet

8.0-Ton 100% Outside Air Processing Unit

FXMQ96MFVJU

### FEATURES

- Service access from below
- Greater design flexibility with a capacity range extended to 96 MBH
- Improved ductwork and filtration flexibility with high CFM and ESP capabilities of up to 1.1" W.G.
- 100% OA capable with discharge air temperature control
- Optional MERV 8 and 13 filters

### BENEFITS

- Can connect to heat pump or heat recovery VRV



VRV





## Submittal Data Sheet

8.0-Ton 100% Outside Air Processing Unit

FXMQ96MFVJU

### PERFORMANCE

Indoor Unit Model No.	FXMQ96MFVJU	Indoor Unit Name:	8.0-Ton 100% Outside Air Processing Unit
Type:	Ducted	Rated Cooling Conditions:	Indoor (°F DB/WB): 80 / 67 Ambient (°F DB/WB): 95 / 75
Rated Cooling Capacity (Btu/hr):	96,000	Rated Heating Conditions:	Indoor (°F DB/WB): 70 / 60 Ambient (°F DB/WB): 47 / 43
Sensible Capacity (Btu/hr):		Rated Piping Length(ft):	
Cooling Input Power (kW):	0.640	Rated Height Separation (ft):	
Rated Heating Capacity (Btu/hr):	59,000		
Heating Input Power (kW):	0.64		

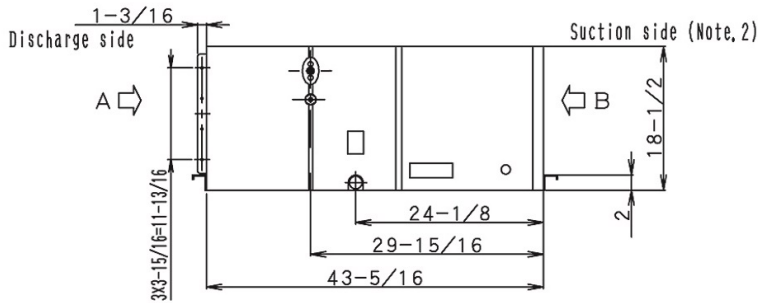
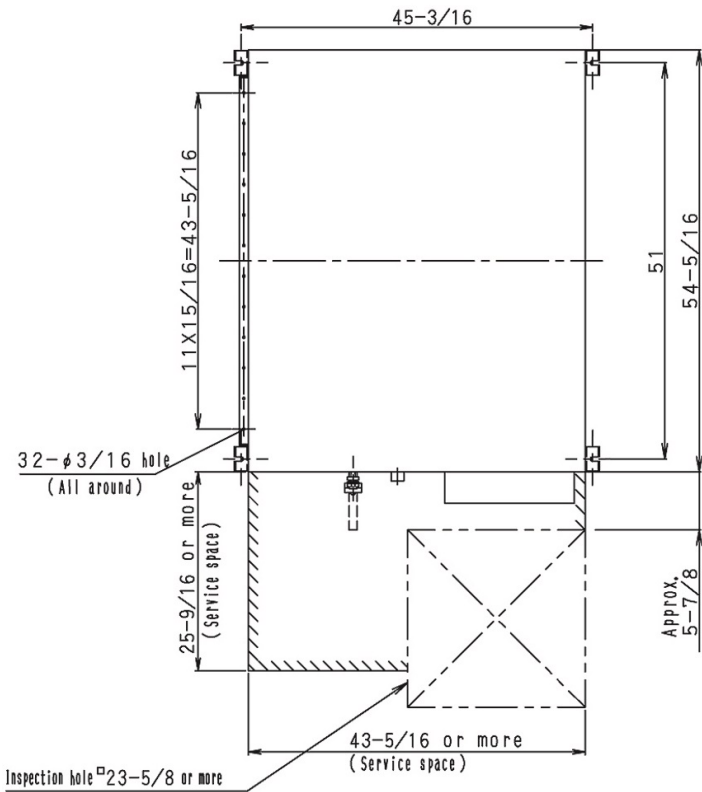
### INDOOR UNIT DETAILS

Power Supply (V/Hz/Ph):	208-230 / 60 / 1	Airflow Rate (H) (CFM):	1236
Power Supply Connections:	L1, L2, Ground	Moisture Removal (Gal/hr):	
Min. Circuit Amps MCA (A):	4.1	Gas Pipe Connection (inch):	7/8
Max Overcurrent Protection (MOP) (A):	15	Liquid Pipe Connection (inch):	3/8
Dimensions (HxWxD) (in):	18-1/2 x 54-3/8 x 43-5/16	Condensate Connection (inch):	1
Net Weight (lb):	271	Sound Pressure (H) (dBA):	48
Ext. Static Pressure (Rated/Max) (inWg):	1.03" / 1.03"	Sound Power Level (dBA):	

### Submittal Data Sheet

8.0-Ton 100% Outside Air Processing Unit  
FXMQ96MFVJU

### DIMENSIONAL DRAWING



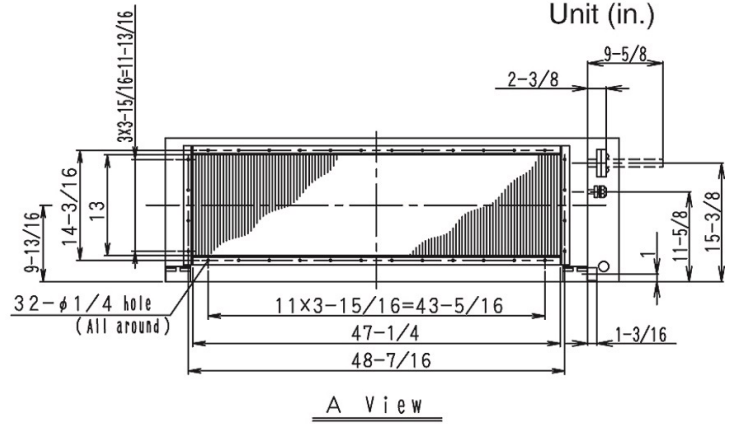
Ductwork Opening:

Model No.	Supply Opening		Return Opening	
	Height	Width	Height	Width
FXMQ72MFVJU	$14\frac{3}{16}$ "	$48\frac{7}{16}$ "	$14\frac{3}{16}$ "	** $22\frac{13}{16}$ "
FXMQ96MFVJU	$14\frac{3}{16}$ "	$48\frac{7}{16}$ "	$14\frac{3}{16}$ "	** $39\frac{1}{2}$ "

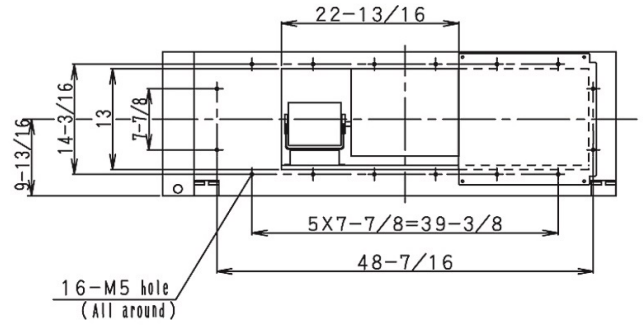
(Note: Opening dimension base on Fixing Hole Center)

(\*\*: Dimensions to cutout opening)

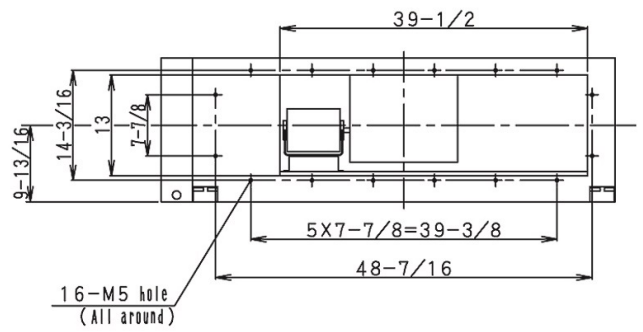
### FXMQ72/96MF Unit (in.)



A View



B View (For FXMQ72MFVJU)



B View (For FXMQ96MFVJU)