



Submittal Data Sheets

0.6 to 4.0-Ton Round Flow Sensing Cassettes

FXFQ_TVJU

FEATURES

- True 360° airflow distribution and three room sensors enables optimized occupant comfort and efficiency
- Optional self-cleaning filter panel to further increase efficiency and reduce maintenance costs
- Individually controlled supply air louvers for comfortable air supply
- Improved efficiency with new DC fan motor and auto logic that adjusts fan speed based on space load
- Industry leading flexibility with 23 possible airflow patterns

BENEFITS

- Compact design to allow for installation in small ceiling voids
- Very low sound levels increases flexibility regarding location of the unit
- Increased indoor air quality with high efficiency filter options & ventilation connection kit
- Automatic occupancy dependant Set back function to save energy





Submittal Data Sheet

0.6-Ton Round Flow Sensing Cassette

FXFQ07TVJU

PERFORMANCE

Indoor Unit Model No.	FXFQ07TVJU	Indoor Unit Name:	0.6-Ton Round Flow Sensing Cassette
Type:	Ceiling Cassette	Rated Cooling Conditions:	Indoor (°F DB/WB): 80 / 67 Ambient (°F DB/WB): 95 / 75
Rated Cooling Capacity (Btu/hr):	7,500	Rated Heating Conditions:	Indoor (°F DB/WB): 70 / 70 Ambient (°F DB/WB): 47 / 43
Sensible Capacity (Btu/hr):	6,700	Rated Piping Length(ft):	
Cooling Input Power (kW):	0.030	Rated Height Separation (ft):	
Rated Heating Capacity (Btu/hr):	8,500		
Heating Input Power (kW):	0.02		

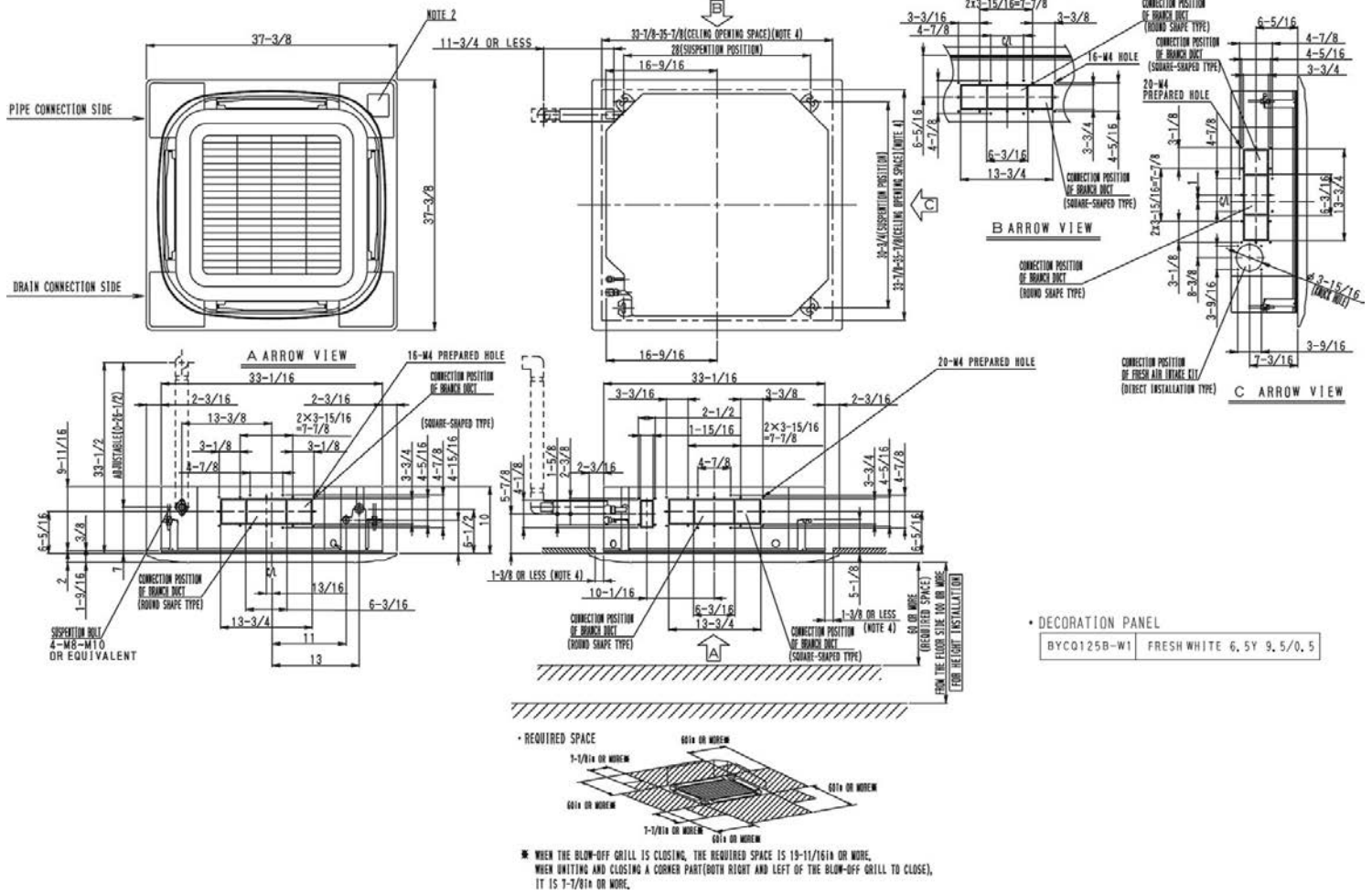
INDOOR UNIT DETAILS

Power Supply (V/Hz/Ph):	208-230 / 60 / 1	Airflow Rate (H/M/L) (CFM):	420/406/353
Power Supply Connections:	L1, L2, Ground	Moisture Removal (Gal/hr):	
Min. Circuit Amps MCA (A):	0.30	Gas Pipe Connection (inch):	1/2
Max Overcurrent Protection (MOP) (A):		Liquid Pipe Connection (inch):	1/4
Dimensions (HxWxD) (in):	9-11/16 x 33-1/16 x 33-1/16	Condensate Connection (inch):	1-1/4
Panel (HxWxD) (in):	2 x 37-3/8 x 37-3/8	Sound Pressure (H/L) (dBA):	30/27
Net Weight (lb):	42	Sound Power Level (dBA):	
Panel Weight (lb):	22	Ext. Static Pressure (Rated/Max) (inWg):	0.00 / 0.00

Submittal Data Sheet
 0.6-Ton Round Flow Sensing Cassette
 FXFQ07TVJU

DIMENSIONAL DRAWING

FXFQ07-24TVJU
 Unit (inches)





Submittal Data Sheet

0.75-Ton Round Flow Sensing Cassette

FXFQ09TVJU

PERFORMANCE

Indoor Unit Model No.	FXFQ09TVJU	Indoor Unit Name:	0.75-Ton Round Flow Sensing Cassette
Type:	Ceiling Cassette	Rated Cooling Conditions:	Indoor (°F DB/WB): 80 / 67 Ambient (°F DB/WB): 95 / 75
Rated Cooling Capacity (Btu/hr):	9,500	Rated Heating Conditions:	Indoor (°F DB/WB): 70 / 70 Ambient (°F DB/WB): 47 / 43
Sensible Capacity (Btu/hr):	8,500	Rated Piping Length(ft):	
Cooling Input Power (kW):	0.030	Rated Height Separation (ft):	
Rated Heating Capacity (Btu/hr):	10,500		
Heating Input Power (kW):	0.03		

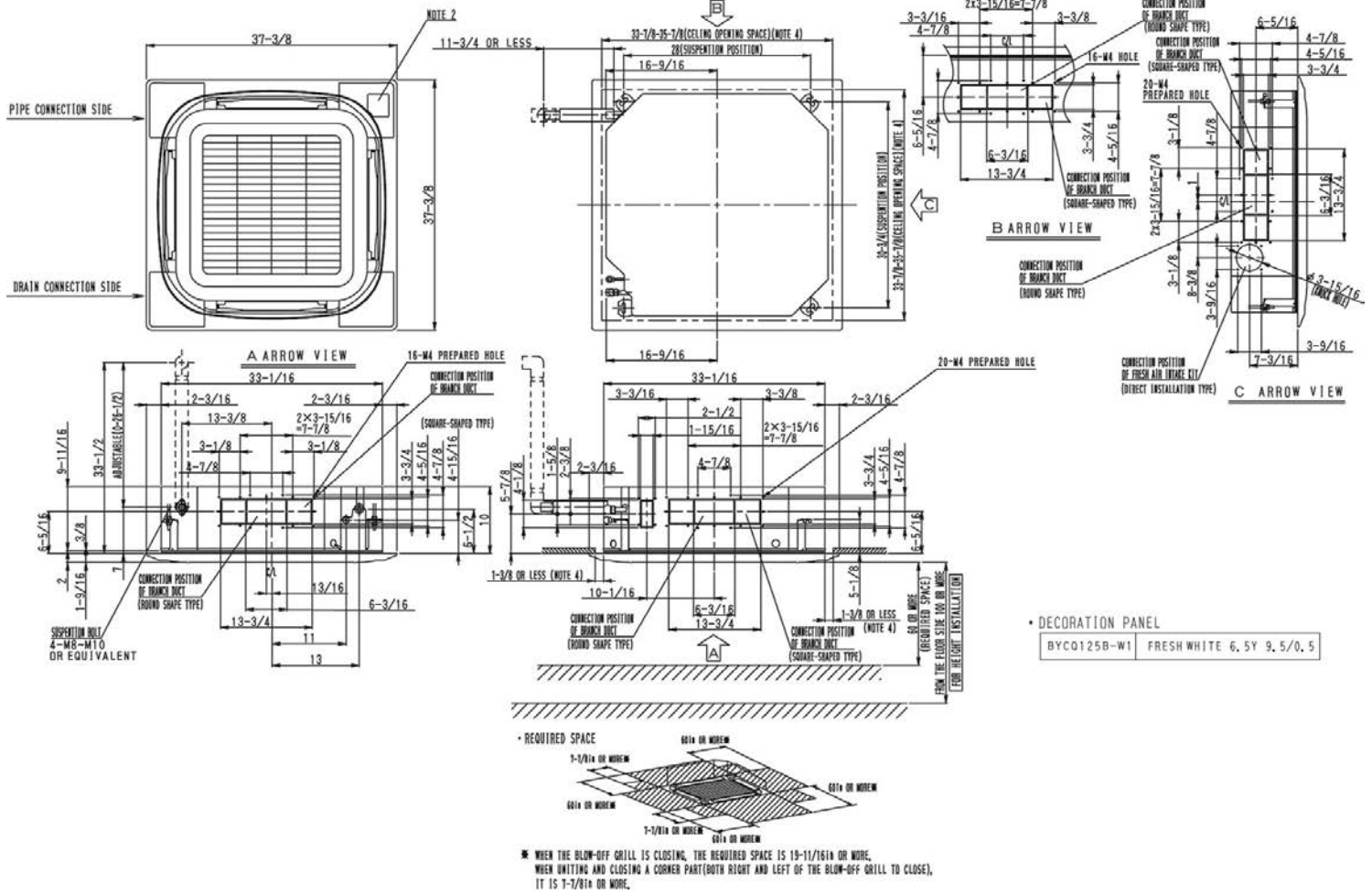
INDOOR UNIT DETAILS

Power Supply (V/Hz/Ph):	208-230 / 60 / 1	Airflow Rate (H/M/L) (CFM):	441/406/353
Power Supply Connections:	L1, L2, Ground	Moisture Removal (Gal/hr):	
Min. Circuit Amps MCA (A):	0.30	Gas Pipe Connection (inch):	1/2
Max Overcurrent Protection (MOP) (A):		Liquid Pipe Connection (inch):	1/4
Dimensions (HxWxD) (in):	9-11/16 x 33-1/16 x 33-1/16	Condensate Connection (inch):	1-1/4
Panel (HxWxD) (in):	2 x 37-3/8 x 37-3/8	Sound Pressure (H/L) (dBA):	30/27
Net Weight (lb):	42	Sound Power Level (dBA):	
Panel Weight (lb):	22	Ext. Static Pressure (Rated/Max) (inWg):	0.00 / 0.00

Submittal Data Sheet
 0.75-Ton Round Flow Sensing Cassette
 FXFQ09TVJU

DIMENSIONAL DRAWING

FXFQ07-24TVJU
 Unit (inches)



• DECORATION PANEL

BYCO125B-W1	FRESH WHITE 6.5Y 9.5/0.5
-------------	--------------------------



Submittal Data Sheet

1.0-Ton Round Flow Sensing Cassette

FXFQ12TVJU

PERFORMANCE

Indoor Unit Model No.	FXFQ12TVJU	Indoor Unit Name:	1.0-Ton Round Flow Sensing Cassette
Type:	Ceiling Cassette	Rated Cooling Conditions:	Indoor (°F DB/WB): 80 / 67 Ambient (°F DB/WB): 95 / 75
Rated Cooling Capacity (Btu/hr):	12,000	Rated Heating Conditions:	Indoor (°F DB/WB): 70 / 70 Ambient (°F DB/WB): 47 / 43
Sensible Capacity (Btu/hr):	9,700	Rated Piping Length(ft):	
Cooling Input Power (kW):	0.030	Rated Height Separation (ft):	
Rated Heating Capacity (Btu/hr):	13,500		
Heating Input Power (kW):	0.03		

INDOOR UNIT DETAILS

Power Supply (V/Hz/Ph):	208-230 / 60 / 1	Airflow Rate (H/M/L) (CFM):	441/406/353
Power Supply Connections:	L1, L2, Ground	Moisture Removal (Gal/hr):	
Min. Circuit Amps MCA (A):	0.30	Gas Pipe Connection (inch):	1/2
Max Overcurrent Protection (MOP) (A):		Liquid Pipe Connection (inch):	1/4
Dimensions (HxWxD) (in):	9-11/16 x 33-1/16 x 33-1/16	Condensate Connection (inch):	1-1/4
Panel (HxWxD) (in):	2 x 37-3/8 x 37-3/8	Sound Pressure (H/L) (dBA):	30/27
Net Weight (lb):	42	Sound Power Level (dBA):	
Panel Weight (lb):	22	Ext. Static Pressure (Rated/Max) (inWg):	0.00 / 0.00



Submittal Data Sheet

1.25-Ton Round Flow Sensing Cassette

FXFQ15TVJU

PERFORMANCE

Indoor Unit Model No.	FXFQ15TVJU	Indoor Unit Name:	1.25-Ton Round Flow Sensing Cassette
Type:	Ceiling Cassette	Rated Cooling Conditions:	Indoor (°F DB/WB): 80 / 67 Ambient (°F DB/WB): 95 / 75
Rated Cooling Capacity (Btu/hr):	15,000	Rated Heating Conditions:	Indoor (°F DB/WB): 70 / 70 Ambient (°F DB/WB): 47 / 43
Sensible Capacity (Btu/hr):	11,300	Rated Piping Length(ft):	
Cooling Input Power (kW):	0.040	Rated Height Separation (ft):	
Rated Heating Capacity (Btu/hr):	17,000		
Heating Input Power (kW):	0.04		

INDOOR UNIT DETAILS

Power Supply (V/Hz/Ph):	208-230 / 60 / 1	Airflow Rate (H/M/L) (CFM):	512/459/388
Power Supply Connections:	L1, L2, Ground	Moisture Removal (Gal/hr):	
Min. Circuit Amps MCA (A):	0.40	Gas Pipe Connection (inch):	1/2
Max Overcurrent Protection (MOP) (A):		Liquid Pipe Connection (inch):	1/4
Dimensions (HxWxD) (in):	9-11/16 x 33-1/16 x 33-1/16	Condensate Connection (inch):	1-1/4
Panel (HxWxD) (in):	2 x 37-3/8 x 37-3/8	Sound Pressure (H/L) (dBA):	30/27
Net Weight (lb):	42	Sound Power Level (dBA):	
Panel Weight (lb):	22	Ext. Static Pressure (Rated/Max) (inWg):	0.00 / 0.00



Submittal Data Sheet

1.5-Ton Round Flow Sensing Cassette

FXFQ18TVJU

PERFORMANCE

Indoor Unit Model No.	FXFQ18TVJU	Indoor Unit Name:	1.5-Ton Round Flow Sensing Cassette
Type:	Ceiling Cassette	Rated Cooling Conditions:	Indoor (°F DB/WB): 80 / 67 Ambient (°F DB/WB): 95 / 75
Rated Cooling Capacity (Btu/hr):	18,000	Rated Heating Conditions:	Indoor (°F DB/WB): 70 / 70 Ambient (°F DB/WB): 47 / 43
Sensible Capacity (Btu/hr):	16,000	Rated Piping Length(ft):	
Cooling Input Power (kW):	0.080	Rated Height Separation (ft):	
Rated Heating Capacity (Btu/hr):	20,000		
Heating Input Power (kW):	0.07		

INDOOR UNIT DETAILS

Power Supply (V/Hz/Ph):	208-230 / 60 / 1	Airflow Rate (H/M/L) (CFM):	740/618/477
Power Supply Connections:	L1, L2, Ground	Moisture Removal (Gal/hr):	
Min. Circuit Amps MCA (A):	0.60	Gas Pipe Connection (inch):	1/2
Max Overcurrent Protection (MOP) (A):		Liquid Pipe Connection (inch):	1/4
Dimensions (HxWxD) (in):	9-11/16 x 33-1/16 x 33-1/16	Condensate Connection (inch):	1-1/4
Panel (HxWxD) (in):	2 x 37-3/8 x 37-3/8	Sound Pressure (H/L) (dBA):	32/27
Net Weight (lb):	51	Sound Power Level (dBA):	
Panel Weight (lb):	22	Ext. Static Pressure (Rated/Max) (inWg):	0.00 / 0.00



Submittal Data Sheet

2.0-Ton Round Flow Sensing Cassette

FXFQ24TVJU

PERFORMANCE

Indoor Unit Model No.	FXFQ24TVJU	Indoor Unit Name:	2.0-Ton Round Flow Sensing Cassette
Type:	Ceiling Cassette	Rated Cooling Conditions:	Indoor (°F DB/WB): 80 / 67 Ambient (°F DB/WB): 95 / 75
Rated Cooling Capacity (Btu/hr):	24,000	Rated Heating Conditions:	Indoor (°F DB/WB): 70 / 70 Ambient (°F DB/WB): 47 / 43
Sensible Capacity (Btu/hr):	20,000	Rated Piping Length(ft):	
Cooling Input Power (kW):	0.080	Rated Height Separation (ft):	
Rated Heating Capacity (Btu/hr):	27,000		
Heating Input Power (kW):	0.08		

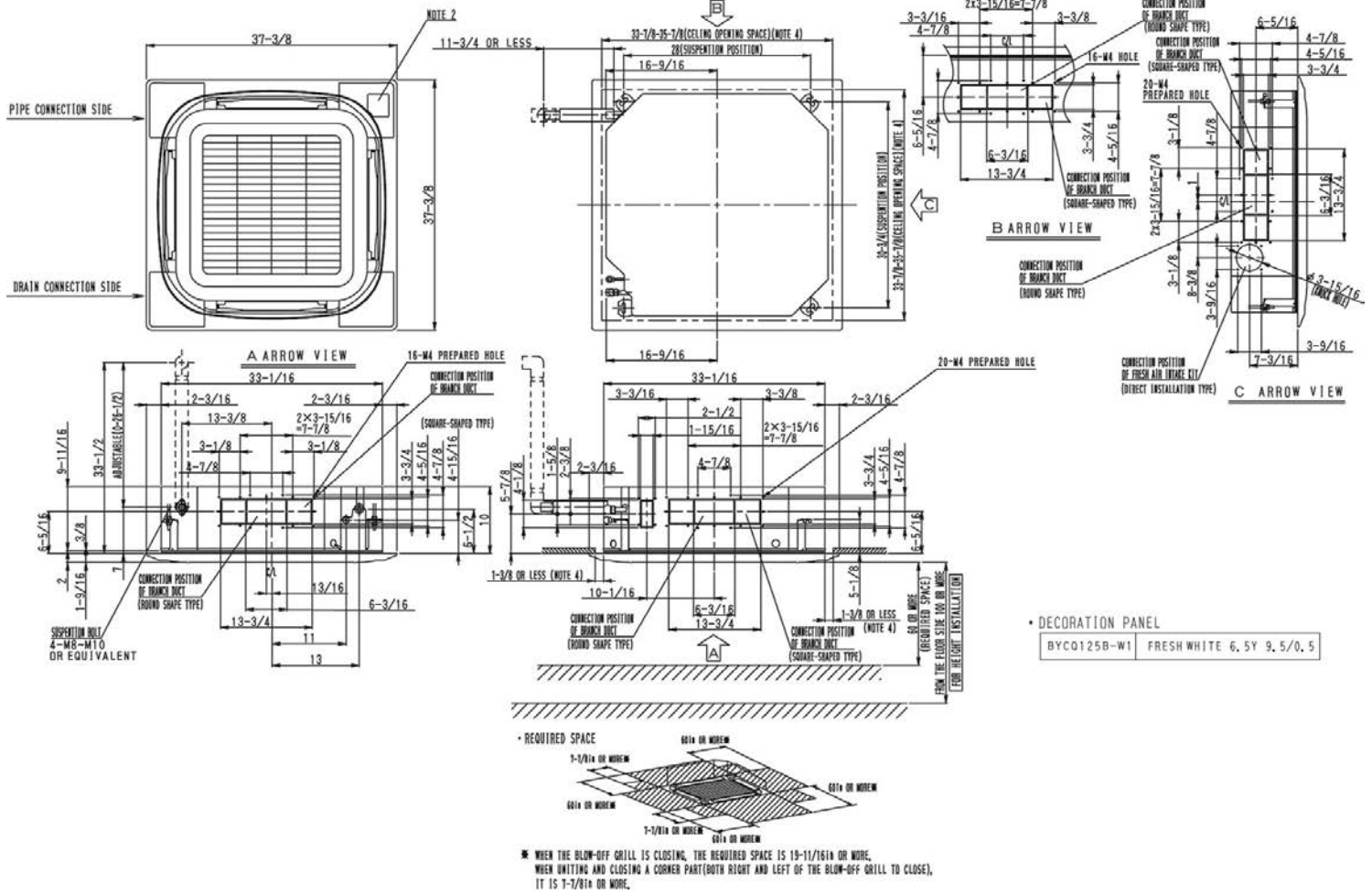
INDOOR UNIT DETAILS

Power Supply (V/Hz/Ph):	208-230 / 60 / 1	Airflow Rate (H/M/L) (CFM):	777/618/477
Power Supply Connections:	L1, L2, Ground	Moisture Removal (Gal/hr):	
Min. Circuit Amps MCA (A):	0.70	Gas Pipe Connection (inch):	5/8
Max Overcurrent Protection (MOP) (A):		Liquid Pipe Connection (inch):	3/8
Dimensions (HxWxD) (in):	9-11/16 x 33-1/16 x 33-1/16	Condensate Connection (inch):	1-1/4
Panel (HxWxD) (in):	2 x 37-3/8 x 37-3/8	Sound Pressure (H/L) (dBA):	32/28
Net Weight (lb):	51	Sound Power Level (dBA):	
Panel Weight (lb):	22	Ext. Static Pressure (Rated/Max) (inWg):	0.00 / 0.00

Submittal Data Sheet
 2.0-Ton Round Flow Sensing Cassette
 FXFQ24TVJU

DIMENSIONAL DRAWING

FXFQ07-24TVJU
 Unit (inches)





Submittal Data Sheet

2.5-Ton Round Flow Sensing Cassette

FXFQ30TVJU

PERFORMANCE

Indoor Unit Model No.	FXFQ30TVJU	Indoor Unit Name:	2.5-Ton Round Flow Sensing Cassette
Type:	Ceiling Cassette	Rated Cooling Conditions:	Indoor (°F DB/WB): 80 / 67 Ambient (°F DB/WB): 95 / 75
Rated Cooling Capacity (Btu/hr):	30,000	Rated Heating Conditions:	Indoor (°F DB/WB): 70 / 70 Ambient (°F DB/WB): 47 / 43
Sensible Capacity (Btu/hr):	22,300	Rated Piping Length(ft):	
Cooling Input Power (kW):	0.170	Rated Height Separation (ft):	
Rated Heating Capacity (Btu/hr):	34,000		
Heating Input Power (kW):	0.16		

INDOOR UNIT DETAILS

Power Supply (V/Hz/Ph):	208-230 / 60 / 1	Airflow Rate (H/M/L) (CFM):	1,112/918/671
Power Supply Connections:	L1, L2, Ground	Moisture Removal (Gal/hr):	
Min. Circuit Amps MCA (A):	1.30	Gas Pipe Connection (inch):	5/8
Max Overcurrent Protection (MOP) (A):		Liquid Pipe Connection (inch):	3/8
Dimensions (HxWxD) (in):	11-5/16 x 33-1/16 x 33-1/16	Condensate Connection (inch):	1-1/4
Panel (HxWxD) (in):	2 x 37-3/8 x 37-3/8	Sound Pressure (H/L) (dBA):	38/32
Net Weight (lb):	58	Sound Power Level (dBA):	
Panel Weight (lb):	22	Ext. Static Pressure (Rated/Max) (inWg):	0.00 / 0.00



Submittal Data Sheet

3.0-Ton Round Flow Sensing Cassette

FXFQ36TVJU

PERFORMANCE

Indoor Unit Model No.	FXFQ36TVJU	Indoor Unit Name:	3.0-Ton Round Flow Sensing Cassette
Type:	Ceiling Cassette	Rated Cooling Conditions:	Indoor (°F DB/WB): 80 / 67 Ambient (°F DB/WB): 95 / 75
Rated Cooling Capacity (Btu/hr):	36,000	Rated Heating Conditions:	Indoor (°F DB/WB): 70 / 70 Ambient (°F DB/WB): 47 / 43
Sensible Capacity (Btu/hr):	28,200	Rated Piping Length(ft):	
Cooling Input Power (kW):	0.190	Rated Height Separation (ft):	
Rated Heating Capacity (Btu/hr):	40,000		
Heating Input Power (kW):	0.18		

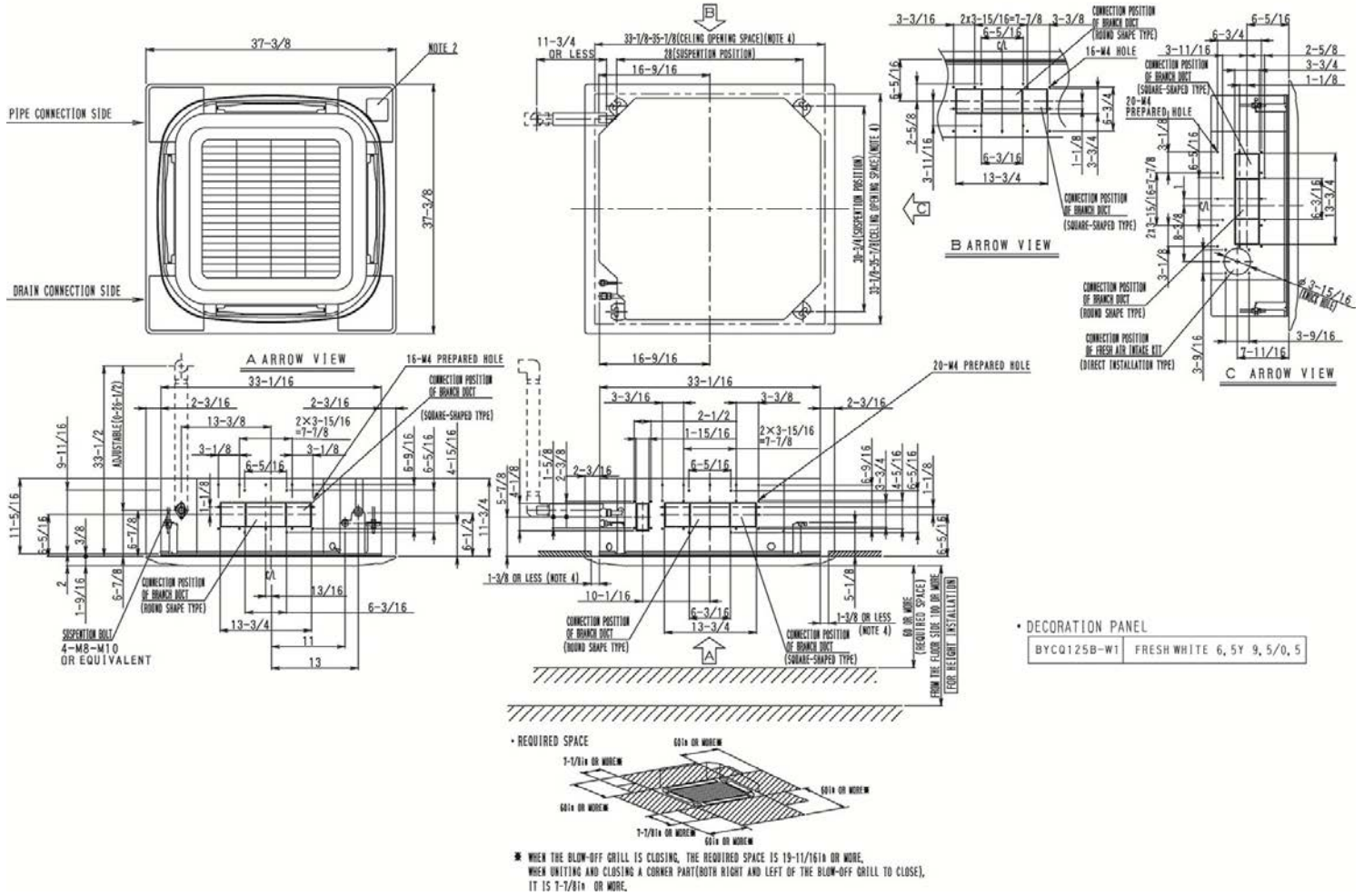
INDOOR UNIT DETAILS

Power Supply (V/Hz/Ph):	208-230 / 60 / 1	Airflow Rate (H/M/L) (CFM):	1,165/918/671
Power Supply Connections:	L1, L2, Ground	Moisture Removal (Gal/hr):	
Min. Circuit Amps MCA (A):	1.50	Gas Pipe Connection (inch):	5/8
Max Overcurrent Protection (MOP) (A):		Liquid Pipe Connection (inch):	3/8
Dimensions (HxWxD) (in):	11-5/16 x 33-1/16 x 33-1/16	Condensate Connection (inch):	1-1/4
Panel (HxWxD) (in):	2 x 37-3/8 x 37-3/8	Sound Pressure (H/L) (dBA):	38/32
Net Weight (lb):	58	Sound Power Level (dBA):	
Panel Weight (lb):	22	Ext. Static Pressure (Rated/Max) (inWg):	0.00 / 0.00

Submittal Data Sheet
 3.0-Ton Round Flow Sensing Cassette
 FXFQ36TVJU

DIMENSIONAL DRAWING

FXFQ30-48TVJU
 Unit (inches)





Submittal Data Sheet

4.0-Ton Round Flow Sensing Cassette

FXFQ48TVJU

PERFORMANCE

Indoor Unit Model No.	FXFQ48TVJU	Indoor Unit Name:	4.0-Ton Round Flow Sensing Cassette
Type:	Ceiling Cassette	Rated Cooling Conditions:	Indoor (°F DB/WB): 80 / 67 Ambient (°F DB/WB): 95 / 75
Rated Cooling Capacity (Btu/hr):	48,000	Rated Heating Conditions:	Indoor (°F DB/WB): 70 / 70 Ambient (°F DB/WB): 47 / 43
Sensible Capacity (Btu/hr):	35,000	Rated Piping Length(ft):	
Cooling Input Power (kW):	0.220	Rated Height Separation (ft):	
Rated Heating Capacity (Btu/hr):	54,000		
Heating Input Power (kW):	0.20		

INDOOR UNIT DETAILS

Power Supply (V/Hz/Ph):	208-230 / 60 / 1	Airflow Rate (H/M/L) (CFM):	1,218/971/742
Power Supply Connections:	L1, L2, Ground	Moisture Removal (Gal/hr):	
Min. Circuit Amps MCA (A):	1.80	Gas Pipe Connection (inch):	5/8
Max Overcurrent Protection (MOP) (A):		Liquid Pipe Connection (inch):	3/8
Dimensions (HxWxD) (in):	11-5/16 x 33-1/16 x 33-1/16	Condensate Connection (inch):	1-1/4
Panel (HxWxD) (in):	2 x 37-3/8 x 37-3/8	Sound Pressure (H/L) (dBA):	45/34
Net Weight (lb):	58	Sound Power Level (dBA):	
Panel Weight (lb):	22	Ext. Static Pressure (Rated/Max) (inWg):	0.00 / 0.00

Submittal Data Sheet
 4.0-Ton Round Flow Sensing Cassette
 FXFQ48TVJU

DIMENSIONAL DRAWING

FXFQ30-48TVJU
 Unit (inches)

