



Submittal Data Sheets

1.0 to 3.0-Ton Ceiling Suspended Units

FXHQ_MVJU

FEATURES

- One of our slimmest indoor units fits any interior design
- Wide air discharge outlet distributes a comfortable airflow throughout the entire space
- Silent stream fan technology keeps sound pressure levels low
- Unit requires minimal installation space



VRV





Submittal Data Sheet

1.0-Ton Ceiling Suspended Unit

FXHQ12MVJU

PERFORMANCE

Indoor Unit Model No.	FXHQ12MVJU	Indoor Unit Name:	1.0-Ton Ceiling Suspended Unit
Type:	Ceiling Suspended	Rated Cooling Conditions:	Indoor (°F DB/WB): 80 / 67 Ambient (°F DB/WB): 95 / 75
Rated Cooling Capacity (Btu/hr):	12,000	Rated Heating Conditions:	Indoor (°F DB/WB): 70 / 70 Ambient (°F DB/WB): 47 / 43
Sensible Capacity (Btu/hr):	9,400	Rated Piping Length(ft):	
Cooling Input Power (kW):	0.090	Rated Height Separation (ft):	
Rated Heating Capacity (Btu/hr):	13,500		
Heating Input Power (kW):	0.09		

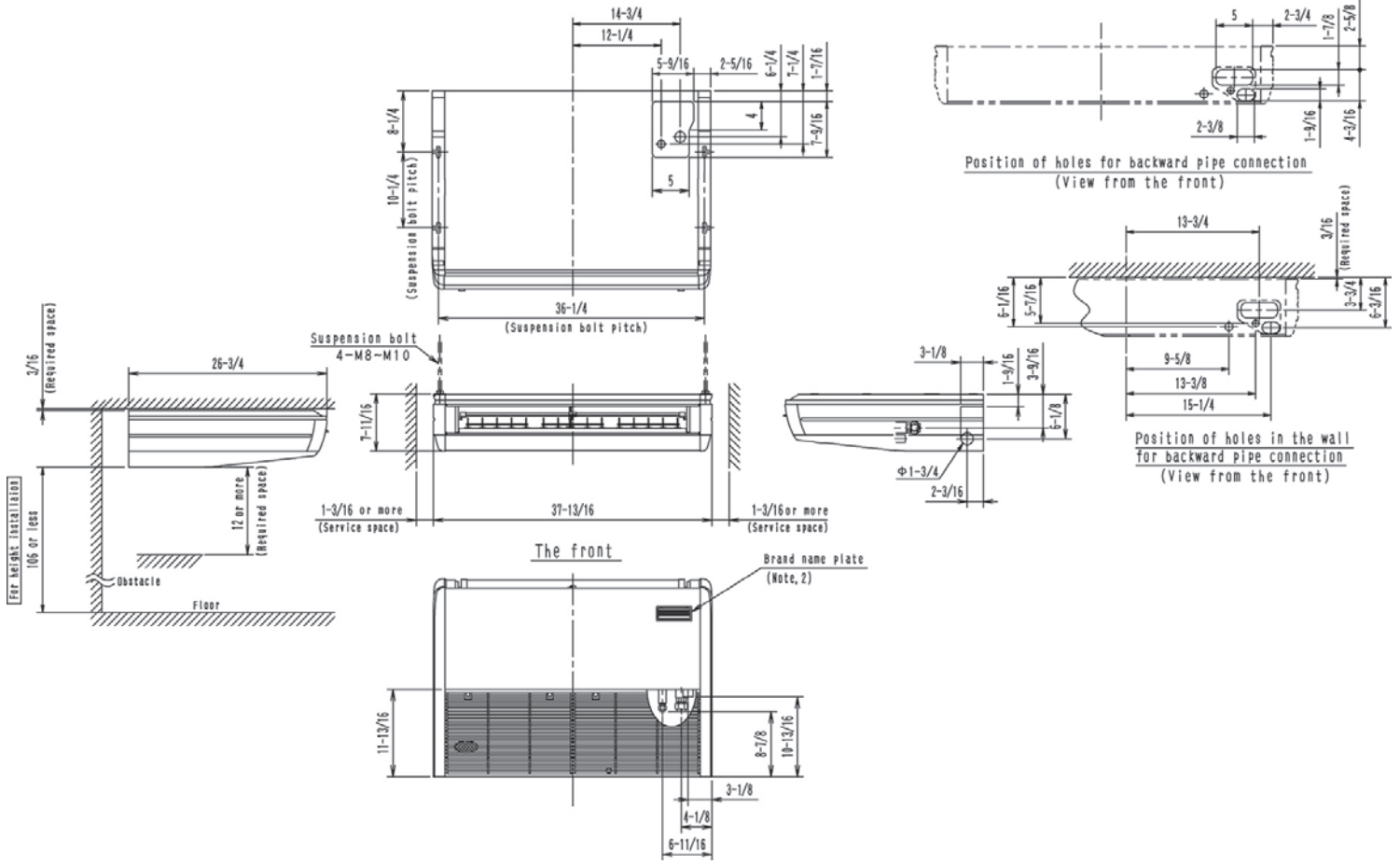
INDOOR UNIT DETAILS

Power Supply (V/Hz/Ph):	208-230 / 60 / 1	Airflow Rate (H/L) (CFM):	410/340
Power Supply Connections:	L1, L2, Ground	Moisture Removal (Gal/hr):	
Min. Circuit Amps MCA (A):	0.80	Gas Pipe Connection (inch):	1/2
Max Overcurrent Protection (MOP) (A):		Liquid Pipe Connection (inch):	1/4
Dimensions (HxWxD) (in):	7-11/16 x 37-13/16 x 26-3/4	Condensate Connection (inch):	1
Panel (HxWxD) (in):		Sound Pressure (H/L) (dBA):	38/33
Net Weight (lb):	55	Sound Power Level (dBA):	
Panel Weight (lb):		Ext. Static Pressure (Rated/Max) (inWg):	0.00 / 0.00

Submittal Data Sheet
 1.0-Ton Ceiling Suspended Unit
 FXHQ12MVJU

DIMENSIONAL DRAWING

FXHQ12MVJU
 Unit (in.)





Submittal Data Sheet

2.0-Ton Ceiling Suspended Unit

FXHQ24MVJU

PERFORMANCE

Indoor Unit Model No.	FXHQ24MVJU	Indoor Unit Name:	2.0-Ton Ceiling Suspended Unit
Type:	Ceiling Suspended	Rated Cooling Conditions:	Indoor (°F DB/WB): 80 / 67 Ambient (°F DB/WB): 95 / 75
Rated Cooling Capacity (Btu/hr):	24,000	Rated Heating Conditions:	Indoor (°F DB/WB): 70 / 70 Ambient (°F DB/WB): 47 / 43
Sensible Capacity (Btu/hr):	17,100	Rated Piping Length(ft):	
Cooling Input Power (kW):	0.130	Rated Height Separation (ft):	
Rated Heating Capacity (Btu/hr):	27,000		
Heating Input Power (kW):	0.13		

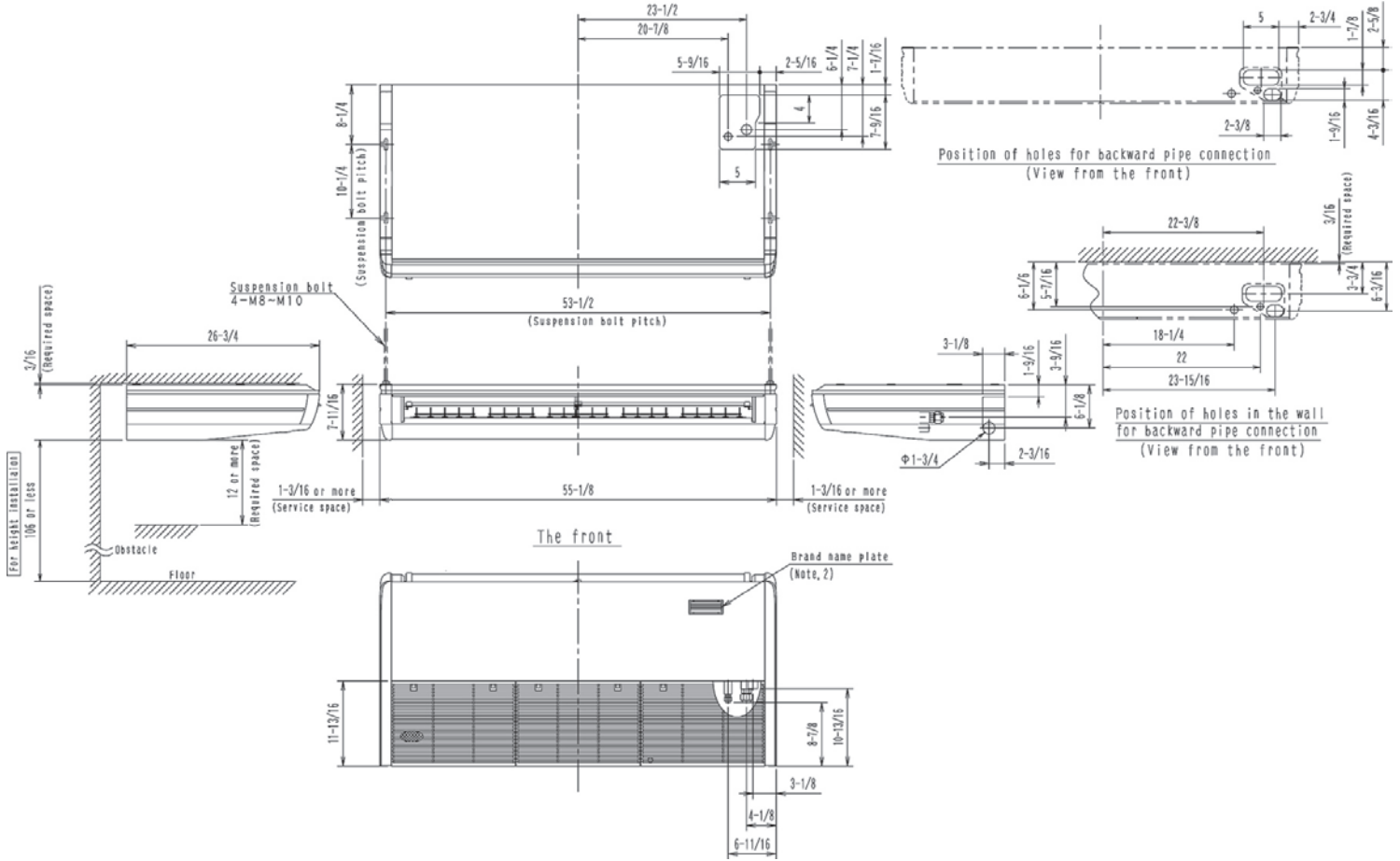
INDOOR UNIT DETAILS

Power Supply (V/Hz/Ph):	208-230 / 60 / 1	Airflow Rate (H/L) (CFM):	710/600
Power Supply Connections:	L1, L2, Ground	Moisture Removal (Gal/hr):	
Min. Circuit Amps MCA (A):	1.00	Gas Pipe Connection (inch):	5/8
Max Overcurrent Protection (MOP) (A):		Liquid Pipe Connection (inch):	3/8
Dimensions (HxWxD) (in):	7-11/16 x 55-1/8 x 26-3/4	Condensate Connection (inch):	1
Panel (HxWxD) (in):		Sound Pressure (H/L) (dBA):	44/36
Net Weight (lb):	80	Sound Power Level (dBA):	
Panel Weight (lb):		Ext. Static Pressure (Rated/Max) (inWg):	0.00 / 0.00

Submittal Data Sheet
 2.0-Ton Ceiling Suspended Unit
 FXHQ24MVJU

DIMENSIONAL DRAWING

FXHQ24MVJU
 Unit (in.)





Submittal Data Sheet

3.0-Ton Ceiling Suspended Unit

FXHQ36MVJU

PERFORMANCE

Indoor Unit Model No.	FXHQ36MVJU	Indoor Unit Name:	3.0-Ton Ceiling Suspended Unit
Type:	Ceiling Suspended	Rated Cooling Conditions:	Indoor (°F DB/WB): 80 / 67 Ambient (°F DB/WB): 95 / 75
Rated Cooling Capacity (Btu/hr):	36,000	Rated Heating Conditions:	Indoor (°F DB/WB): 70 / 70 Ambient (°F DB/WB): 47 / 43
Sensible Capacity (Btu/hr):	25,100	Rated Piping Length(ft):	
Cooling Input Power (kW):	0.160	Rated Height Separation (ft):	
Rated Heating Capacity (Btu/hr):	40,000		
Heating Input Power (kW):	0.16		

INDOOR UNIT DETAILS

Power Supply (V/Hz/Ph):	208-230 / 60 / 1	Airflow Rate (H/L) (CFM):	830/670
Power Supply Connections:	L1, L2, Ground	Moisture Removal (Gal/hr):	
Min. Circuit Amps MCA (A):	1.40	Gas Pipe Connection (inch):	5/8
Max Overcurrent Protection (MOP) (A):		Liquid Pipe Connection (inch):	3/8
Dimensions (HxWxD) (in):	7-11/16 x 62-5/8 x 26-3/4	Condensate Connection (inch):	1
Panel (HxWxD) (in):		Sound Pressure (H/L) (dBA):	46/41
Net Weight (lb):	90	Sound Power Level (dBA):	
Panel Weight (lb):		Ext. Static Pressure (Rated/Max) (inWg):	0.00 / 0.00

Submittal Data Sheet
 3.0-Ton Ceiling Suspended Unit
 FXHQ36MVJU

DIMENSIONAL DRAWING

FXHQ36MVJU
 Unit (in.)

